

Universal Connector for PeopleSoft 7.7.x Reference Guide

Universal Agent 7.7.x

© 2024 by Stonebranch, Inc. All Rights Reserved.

Table of Contents

1	Overview	23
1.1	Functionality	24
2	Supported PeopleSoft Versions.....	25
3	Detailed Information	26
4	PeopleSoft Web Services	27
4.1	PeopleSoft PROCESSREQUEST Web Service	27
4.2	Communicating with PeopleSoft Web Services	27
5	Universal Connector for PeopleSoft for UNIX.....	28
5.1	Introduction	28
5.2	Usage.....	28
5.3	Command Line Syntax.....	28
5.3.1	Example.....	29
6	Universal Connector for PeopleSoft for Windows	30
6.1	Introduction	30
6.2	Usage.....	30
6.3	Command Line Syntax.....	30
6.3.1	Example.....	31
7	Universal Connector for PeopleSoft Commands.....	32
7.1	Universal Connector for PeopleSoft Commands.....	32
7.2	Command Groups.....	32
7.2.1	Command Description.....	32
7.2.2	Command Line Syntax.....	32
7.2.3	Command Argument	32
7.2.4	Command Options.....	33
7.3	CANCEL PROCESS - UPPS Command.....	33
7.3.1	Description	33
7.3.2	Command Line Syntax.....	34
7.3.3	Configuration Options	34
7.3.4	Example.....	34

7.4	DELETE PROCESS - UPPS Command.....	34
7.4.1	Description	34
7.4.2	Command Line Syntax.....	35
7.4.3	Configuration Options	35
7.4.4	Example.....	35
7.5	DISPLAY OUTPUT FORMATS - UPPS Command.....	35
7.5.1	Description	35
7.5.2	Command Line Syntax.....	36
7.5.3	Command Argument	36
7.5.4	Configuration Options	36
7.5.5	Example.....	36
7.6	DISPLAY OUTPUT TYPES - UPPS Command.....	37
7.6.1	Description	37
7.6.2	Command Line Syntax.....	38
7.6.3	Command Argument	38
7.6.4	Configuration Options	38
7.6.5	Example.....	38
7.7	DISPLAY PRCS GET REPORT - UPPS Command	41
7.7.1	Description	41
7.7.2	Command Line Syntax.....	41
7.7.3	Command Argument	41
7.7.4	Configuration Options	41
7.7.5	Example.....	42
7.8	DISPLAY PRCS GET REQUEST - UPPS Command	42
7.8.1	Description	42
7.8.2	Command Line Syntax.....	42
7.8.3	Command Argument	42
7.8.4	Configuration Options	43
7.8.5	Example.....	43
7.9	DISPLAY PRCS GET SERVER CONSTRAINTS - UPPS Command	44
7.9.1	Description	44

7.9.2	Command Line Syntax.....	44
7.9.3	Command Argument	44
7.9.4	Configuration Options	44
7.9.5	Example.....	45
7.10	DISPLAY PRCS PARAMS - UPPS Command.....	45
7.10.1	Description	45
7.10.2	Command Line Syntax.....	46
7.10.3	Command Argument	46
7.10.4	Configuration Options	46
7.10.5	Example.....	47
7.11	DISPLAY PRCS PRINT JOB HTML REPORT - UPPS Command.....	47
7.11.1	Description	47
7.11.2	Command Line Syntax.....	47
7.11.3	Command Argument	48
7.11.4	Configuration Options	48
7.11.5	Example.....	48
7.12	DISPLAY PRCS PRINT JOB REQUEST REPORT - UPPS Command.....	49
7.12.1	Description	49
7.12.2	Command Line Syntax.....	49
7.12.3	Command Argument	49
7.12.4	Configuration Options	49
7.12.5	Example.....	50
7.13	DISPLAY PRCS PRINT SCHED HTML REPORT - UPPS Command.....	53
7.13.1	Description	53
7.13.2	Command Line Syntax.....	53
7.13.3	Command Argument	53
7.13.4	Configuration Options	54
7.13.5	Example.....	54
7.14	DISPLAY PRCS PROMPT - UPPS Command.....	56
7.14.1	Description	56
7.14.2	Command Line Syntax.....	56

7.14.3	Command Argument	56
7.14.4	Configuration Options	57
7.14.5	Example	57
7.15	DISPLAY PROCESS NAMES - UPPS Command	58
7.15.1	Description	58
7.15.2	Command Line Syntax.....	58
7.15.3	Command Argument	58
7.15.4	Configuration Options	58
7.15.5	Example	59
7.16	DISPLAY REQUESTS - UPPS Command	59
7.16.1	Description	59
7.16.2	Command Line Syntax.....	59
7.16.3	Command Argument	60
7.16.4	Configuration Options	60
7.16.5	Example	61
7.17	HOLD PROCESS - UPPS Command	61
7.17.1	Description	61
7.17.2	Command Line Syntax.....	62
7.17.3	Configuration Options	62
7.17.4	Example	62
7.18	START JOBSET - UPPS Command	62
7.18.1	Description	63
7.18.2	Command Line Syntax.....	63
7.18.3	Configuration Options	63
7.18.4	Example	64
7.19	SUBMIT PROCESS - UPPS Command	65
7.19.1	Description	65
7.19.2	Command Line Syntax.....	65
7.19.3	Command Argument	66
7.19.4	Configuration Options	66
7.19.5	Example	68

7.20	WAIT for PROCESS - UPPS Command	69
7.20.1	Description	69
7.20.2	Command Line Syntax.....	69
7.20.3	Configuration Options	70
7.20.4	Example.....	70
8	Universal Connector for PeopleSoft Exit Codes	72
8.1	Overview	72
8.2	WAIT Exit Codes.....	72
8.3	All Other Command Exit Codes.....	72
9	Universal Connector for PeopleSoft Configuration Options for Program Execution	74
9.1	Overview	74
9.2	Universal Connector for PeopleSoft Configuration Options for Program Execution - Categories	74
9.3	AFT (Application Fault Tolerant) Options - Universal Connector for PeopleSoft ..	75
9.3.1	Description	75
9.3.2	Command Line Syntax.....	75
9.3.3	AFT Options List	75
9.4	COMMAND FILE Options - Universal Connector for PeopleSoft.....	76
9.4.1	Description	76
9.4.2	Plain Text File.....	76
9.4.3	Encrypted File.....	77
9.5	HOST Options - Universal Connector for PeopleSoft	77
9.5.1	Description	78
9.5.2	Command Line Syntax.....	78
9.5.3	HOST Options List	78
9.6	INFORMATIONAL Options - Universal Connector for PeopleSoft	78
9.6.1	Description	78
9.6.2	Command Line Syntax.....	79
9.6.3	INFORMATIONAL Options List.....	79
9.7	INSTALLATION Options - Universal Connector for PeopleSoft	79

9.7.1	Description	79
9.7.2	Configuration File Syntax	79
9.7.3	INSTALLATION Options List	80
9.8	LOCAL Options - Universal Connector for PeopleSoft.....	80
9.8.1	Description	80
9.8.2	Command Line Syntax.....	80
9.8.3	LOCAL Options List.....	80
9.9	MESSAGE Options - Universal Connector for PeopleSoft	81
9.9.1	Description	81
9.9.2	Command Line Syntax.....	81
9.9.3	MESSAGE Options List	81
9.10	NFT (Network Fault Tolerant) Options - Universal Connector for PeopleSoft	82
9.10.1	Description	82
9.10.2	Command Line Syntax.....	82
9.10.3	NFT Options List	82
9.11	SSL/TLS Options - Universal Connector for PeopleSoft.....	83
9.11.1	Description	83
9.11.2	Command Line Syntax.....	83
9.11.3	SSL/TLS Options List.....	83
9.12	USER Options - Universal Connector for PeopleSoft	84
9.12.1	Description	84
9.12.2	Command Line Syntax.....	84
9.12.3	USER Options List	84
10	Universal Connector for PeopleSoft Configuration Options	85
10.1	Overview	85
10.2	Configuration Options Information.....	85
10.2.1	Description	85
10.2.2	Usage.....	85
10.2.3	Values	86
10.2.4	<Additional Information>	86
10.2.5	Command Usage	87

10.3	Configuration Options List	87
10.4	APPL_RETRY_COUNT - UPPS configuration option	90
10.4.1	Description	90
10.4.2	Usage	90
10.4.3	Value	90
10.4.4	Command Usage	90
10.5	APPL_RETRY_INTERVAL - UPPS configuration option	91
10.5.1	Description	91
10.5.2	Usage	91
10.5.3	Value	91
10.5.4	Command Usage	91
10.6	APPL_RETRY_MSG_IDS - UPPS configuration option	91
10.6.1	Description	91
10.6.2	Usage	92
10.6.3	Value	92
10.6.4	Command Usage	93
10.7	BIF_DIRECTORY - UPPS configuration option.....	93
10.7.1	Description	93
10.7.2	Usage	93
10.7.3	Values	94
10.7.4	Command Usage	94
10.8	CA_CERTIFICATES - UPPS configuration option	94
10.8.1	Description	94
10.8.2	Usage	94
10.8.3	Values	94
10.8.4	Command Usage	94
10.9	CERTIFICATE - UPPS configuration option	95
10.9.1	Description	95
10.9.2	Usage	95
10.9.3	Values	95
10.9.4	Command Usage	95

10.10	CERTIFICATE_EXPIRATION_NOTICE - UPPS configuration option	96
10.10.1	Description	96
10.10.2	Usage	96
10.10.3	Values	96
10.10.4	Command Usage	96
10.11	CNT_FILTER - UPPS configuration option	96
10.11.1	Description	96
10.11.2	Usage	97
10.11.3	Value	97
10.11.4	Command Usage	97
10.12	CONTENT_ID - UPPS configuration option.....	97
10.12.1	Description	97
10.12.2	Usage	97
10.12.3	Value	98
10.12.4	Command Usage	98
10.13	DEFINITION_FILE_FORMAT - UPPS configuration option	98
10.13.1	Description	98
10.13.2	Usage	98
10.13.3	Value	98
10.13.4	Command Usage	98
10.14	DISTRIBUTION_STATUS - UPPS configuration option	99
10.14.1	Description	99
10.14.2	Usage	99
10.14.3	Value	99
10.14.4	Command Usage	99
10.15	ENCRYPT_FILE - UPPS configuration option	99
10.15.1	Description	99
10.15.2	Usage	100
10.15.3	Value	100
10.15.4	Command Usage	100
10.16	ENCRYPTION_KEY - UPPS configuration option	100

10.16.1	Description	100
10.16.2	Usage.....	100
10.16.3	Value	101
10.16.4	Command Usage	101
10.17	ENDPOINT - UPPS configuration option.....	101
10.17.1	Description	101
10.17.2	Usage.....	101
10.17.3	Value	101
10.17.4	Example	101
10.17.5	Command Usage	101
10.18	FILE_NAME - UPPS configuration option	102
10.18.1	Description	102
10.18.2	Usage.....	102
10.18.3	Value	102
10.18.4	Command Usage	102
10.19	FILTER_UNIT - UPPS configuration option.....	102
10.19.1	Description	102
10.19.2	Usage.....	103
10.19.3	Value	103
10.19.4	Command Usage	103
10.20	FILTER_VALUE - UPPS configuration option.....	103
10.20.1	Description	103
10.20.2	Usage.....	103
10.20.3	Value	104
10.20.4	Command Usage	104
10.21	FROM_DATE - UPPS configuration option	104
10.21.1	Description	104
10.21.2	Usage.....	104
10.21.3	Value	104
10.21.4	Command Usage	104
10.22	HELP - UPPS configuration option.....	105

10.22.1	Description	105
10.22.2	Usage.....	105
10.22.3	Value	105
10.22.4	Command Usage	105
10.23	HOST - UPPS configuration option	105
10.23.1	Description	105
10.23.2	Usage.....	105
10.23.3	Value	106
10.23.4	Example.....	106
10.23.5	Command Usage	106
10.24	INSTALLATION_DIRECTORY - UPPS configuration option	106
10.24.1	Description	106
10.24.2	Usage.....	106
10.24.3	Values	107
10.24.4	Command Usage	107
10.25	ITEM_INSTANCE - UPPS configuration option	107
10.25.1	Description	107
10.25.2	Usage.....	107
10.25.3	Value	107
10.25.4	Command Usage	108
10.26	JOB_NAME - UPPS configuration option.....	108
10.26.1	Description	108
10.26.2	Usage.....	108
10.26.3	Value	108
10.26.4	Command Usage	108
10.27	LANGUAGE_CODE - UPPS configuration option	108
10.27.1	Description	108
10.27.2	Usage.....	109
10.27.3	Value	109
10.27.4	Command Usage	109
10.28	MAIN_JOB_NAME - UPPS configuration option	109

10.28.1	Description	109
10.28.2	Usage.....	109
10.28.3	Value	110
10.28.4	Command Usage	110
10.29	MAIN_SCHED_NAME - UPPS configuration option	110
10.29.1	Description	110
10.29.2	Usage.....	110
10.29.3	Value	110
10.29.4	Command Usage	110
10.30	MAX_SSL_PROTOCOL - UPPS configuration option	111
10.30.1	Description	111
10.30.2	Usage.....	111
10.30.3	Values	111
10.31	MESSAGE_LANGUAGE - UPPS configuration option.....	111
10.31.1	Description	111
10.31.2	Usage.....	112
10.31.3	Value	112
10.31.4	Command Usage	112
10.32	MESSAGE_LEVEL - UPPS configuration option	112
10.32.1	Description	112
10.32.2	Usage.....	112
10.32.3	Value	113
10.32.4	Command Usage	113
10.33	MIN_SSL_PROTOCOL - UPPS configuration option.....	113
10.33.1	Description	113
10.33.2	Usage.....	114
10.33.3	Values	114
10.34	OPERATOR_ID - UPPS configuration option.....	114
10.34.1	Description	114
10.34.2	Usage.....	114
10.34.3	Value	115

10.34.4	Command Usage	115
10.35	OUTPUT_DESTINATION_FORMAT - UPPS configuration option	115
10.35.1	Description	115
10.35.2	Usage	115
10.35.3	Value	115
10.35.4	Command Usage	116
10.36	OUTPUT_DESTINATION_STRING - UPPS configuration option	116
10.36.1	Description	116
10.36.2	Usage	116
10.36.3	Value	116
10.36.4	Command Usage	116
10.37	OUTPUT_DESTINATION_TYPE - UPPS configuration option	116
10.37.1	Description	116
10.37.2	Usage	117
10.37.3	Value	117
10.37.4	Command Usage	117
10.38	OUTPUT_FORMAT - UPPS configuration option	117
10.38.1	Description	117
10.38.2	Usage	117
10.38.3	Value	118
10.38.4	Command Usage	118
10.39	PASSWORD - UPPS configuration option	118
10.39.1	Description	118
10.39.2	Usage	118
10.39.3	Value	119
10.39.4	Command Usage	119
10.40	PLF_DIRECTORY - UPPS configuration option	119
10.40.1	Description	119
10.40.2	Usage	119
10.40.3	Values	119
10.40.4	Command Usage	119

10.41	POLL - UPPS configuration option.....	120
10.41.1	Description	120
10.41.2	Usage.....	120
10.41.3	Value	120
10.41.4	Command Usage	120
10.42	PORT - UPPS configuration option	120
10.42.1	Description	120
10.42.2	Usage.....	120
10.42.3	Value	121
10.42.4	Example.....	121
10.42.5	Command Usage	121
10.43	PRINT_APPLICATION_MESSAGE - UPPS configuration option.....	121
10.43.1	Description	121
10.43.2	Usage.....	121
10.43.3	Value	122
10.43.4	Command Usage	122
10.44	PRINT_DISTRIBUTION_LIST - UPPS configuration option	122
10.44.1	Description	122
10.44.2	Usage.....	123
10.44.3	Value	123
10.44.4	Command Usage	123
10.45	PRINT_JOB_TREE - UPPS configuration option.....	123
10.45.1	Description	123
10.45.2	Usage.....	124
10.45.3	Value	124
10.45.4	Command Usage	124
10.46	PRINT_MESSAGE_LIST - UPPS configuration option	124
10.46.1	Description	124
10.46.2	Usage.....	124
10.46.3	Value	125
10.46.4	Command Usage	125

10.47	PRINT_NOTIFY_LIST - UPPS configuration option	125
10.47.1	Description	125
10.47.2	Usage	125
10.47.3	Value	125
10.47.4	Command Usage	126
10.48	PRINT_PARAMETER_LIST - UPPS configuration option	126
10.48.1	Description	126
10.48.2	Usage	126
10.48.3	Value	126
10.48.4	Command Usage	127
10.49	PRINT_SYSTEM_MESSAGE - UPPS configuration option	127
10.49.1	Description	127
10.49.2	Usage	127
10.49.3	Value	127
10.49.4	Command Usage	128
10.50	PRIVATE_KEY - UPPS configuration option	128
10.50.1	Description	128
10.50.2	Usage	128
10.50.3	Values	128
10.50.4	Command Usage	129
10.51	PRIVATE_KEY_PWD - UPPS configuration option	129
10.51.1	Description	129
10.51.2	Usage	129
10.51.3	Values	129
10.51.4	Command Usage	129
10.52	PROCESS_INSTANCE - UPPS configuration option.....	130
10.52.1	Description	130
10.52.2	Usage	130
10.52.3	Value	130
10.52.4	Command Usage	130
10.53	PROCESS_INSTANCE_FROM - UPPS configuration option.....	130

10.53.1	Description	130
10.53.2	Usage.....	131
10.53.3	Value	131
10.53.4	Command Usage	131
10.54	PROCESS_INSTANCE_TO - UPPS configuration option	131
10.54.1	Description	131
10.54.2	Usage.....	131
10.54.3	Value	132
10.54.4	Command Usage	132
10.55	PROCESS_FILE_NAME - UPPS configuration option	132
10.55.1	Description	132
10.55.2	Usage.....	132
10.55.3	Value	132
10.55.4	Command Usage	132
10.56	PROCESS_NAME - UPPS configuration option	133
10.56.1	Description	133
10.56.2	Usage.....	133
10.56.3	Value	133
10.56.4	Command Usage	133
10.57	PROCESS_REQUEST_COUNT - UPPS configuration option	133
10.57.1	Description	133
10.57.2	Usage.....	133
10.57.3	Value	134
10.57.4	Command Usage	134
10.58	PROCESS_TYPE - UPPS configuration option.....	134
10.58.1	Description	134
10.58.2	Usage.....	134
10.58.3	Value	134
10.58.4	Command Usage	135
10.59	PROMPT - UPPS configuration option.....	135
10.59.1	Description	135

10.59.2	Usage	135
10.59.3	Value	136
10.59.4	Command Usage	136
10.60	RECURRENCE_NAME - UPPS configuration option	136
10.60.1	Description	136
10.60.2	Usage	136
10.60.3	Value	137
10.60.4	Command Usage	137
10.61	REPORT - UPPS configuration option	137
10.61.1	Description	137
10.61.2	Usage	137
10.61.3	Value	137
10.61.4	Command Usage	138
10.62	REPORT_FOLDER_NAME - UPPS configuration option	138
10.62.1	Description	138
10.62.2	Usage	138
10.62.3	Value	138
10.62.4	Command Usage	138
10.63	RETENTION_DAYS - UPPS configuration option	139
10.63.1	Description	139
10.63.2	Usage	139
10.63.3	Value	139
10.63.4	Command Usage	139
10.64	RETURN_JOB_LOG - UPPS configuration option	139
10.64.1	Description	139
10.64.2	Usage	139
10.64.3	Value	140
10.64.4	Command Usage	140
10.65	RETURN_SPOOL_LIST - UPPS configuration option	140
10.65.1	Description	140
10.65.2	Usage	140

10.65.3	Value	140
10.65.4	Command Usage	141
10.66	RUN_CONTROL_ID - UPPS configuration option	141
10.66.1	Description	141
10.66.2	Usage.....	141
10.66.3	Value	141
10.66.4	Command Usage	141
10.67	RUN_DATE_TIME - UPPS configuration option.....	142
10.67.1	Description	142
10.67.2	Usage.....	142
10.67.3	Value	142
10.67.4	Command Usage	142
10.68	RUN_STATUS - UPPS configuration option.....	142
10.68.1	Description	142
10.68.2	Usage.....	142
10.68.3	Value	143
10.68.4	Command Usage	143
10.69	SERVER_NAME - UPPS configuration option.....	143
10.69.1	Description	143
10.69.2	Usage.....	143
10.69.3	Value	143
10.69.4	Command Usage	143
10.70	SERVER_RUN - UPPS configuration option.....	144
10.70.1	Description	144
10.70.2	Usage.....	144
10.70.3	Value	144
10.70.4	Command Usage	144
10.71	SSL_CIPHER_LIST - UPPS configuration Option.....	144
10.71.1	Description	144
10.71.2	Usage.....	145
10.71.3	Values	145

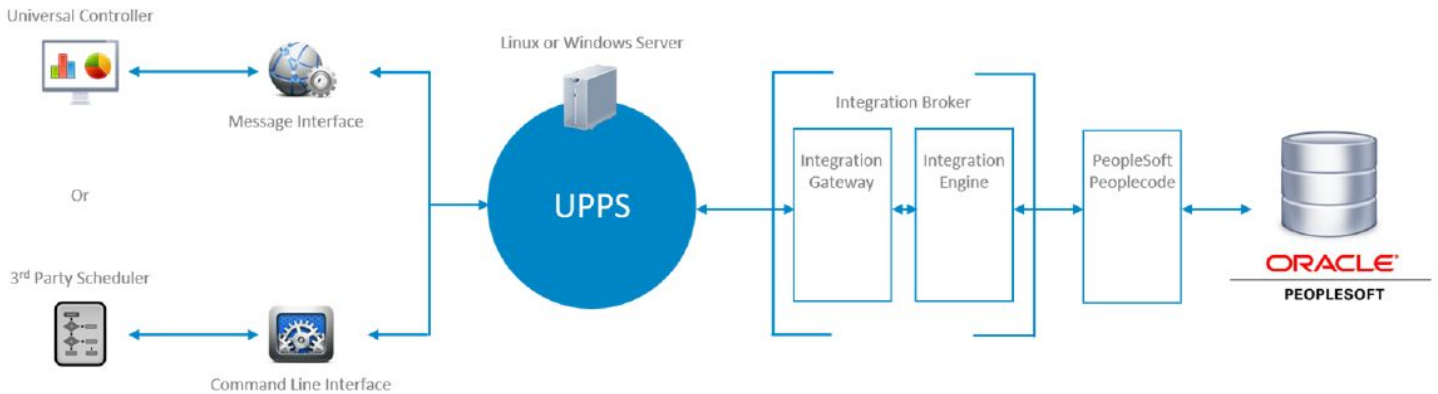
10.71.4	Command Usage	146
10.72	SSL_CIPHER_SUITES - UPPS configuration Option	146
10.72.1	Description	146
10.72.2	Usage	146
10.72.3	Values	147
10.72.4	Command Usage	147
10.73	TIME_ZONE - UPPS configuration option.....	147
10.73.1	Description	147
10.73.2	Usage	147
10.73.3	Value	148
10.73.4	Command Usage	148
10.74	TO_DATE - UPPS configuration option	148
10.74.1	Description	148
10.74.2	Usage	148
10.74.3	Value	148
10.74.4	Command Usage	148
10.75	TRACE_FILE_LINES - UPPS configuration option	149
10.75.1	Description	149
10.75.2	Usage	149
10.75.3	Value	149
10.75.4	Command Usage	149
10.76	TRACE_TABLE - UPPS configuration option	149
10.76.1	Description	149
10.76.2	Usage	150
10.76.3	Values	150
10.76.4	Command Usage	150
10.77	USER_ID - UPPS configuration option.....	151
10.77.1	Description	151
10.77.2	Usage	151
10.77.3	Value	151
10.77.4	Command Usage	151

10.78	VERIFY_HOST_NAME - UPPS configuration option.....	151
10.78.1	Description	151
10.78.2	Usage.....	152
10.78.3	Values	152
10.78.4	Command Usage	152
10.79	VERIFY_PEER - UPPS configuration option.....	152
10.79.1	Description	152
10.79.2	Usage.....	153
10.79.3	Values	153
10.79.4	Command Usage	153
10.80	VERSION - UPPS configuration option	153
10.80.1	Description	153
10.80.2	Usage.....	154
10.80.3	Value	154
10.80.4	Command Usage	154
10.81	WS_RETRY_COUNT - UPPS configuration option	154
10.81.1	Description	154
10.81.2	Usage.....	154
10.81.3	Value	155
10.81.4	Command Usage	155
10.82	WS_RETRY_INTERVAL - UPPS configuration option	155
10.82.1	Description	155
10.82.2	Usage.....	155
10.82.3	Value	155
10.82.4	Command Usage	155
11	Universal Connector for PeopleSoft Job Definition Files.....	156
11.1	Universal Connector Job Definition Files	156
11.2	XML Job Definition File Syntax	156
11.2.1	Overview	156

- [Overview](#)
 - [Functionality](#)
- [Supported PeopleSoft Versions](#)
- [Detailed Information](#)

1 Overview

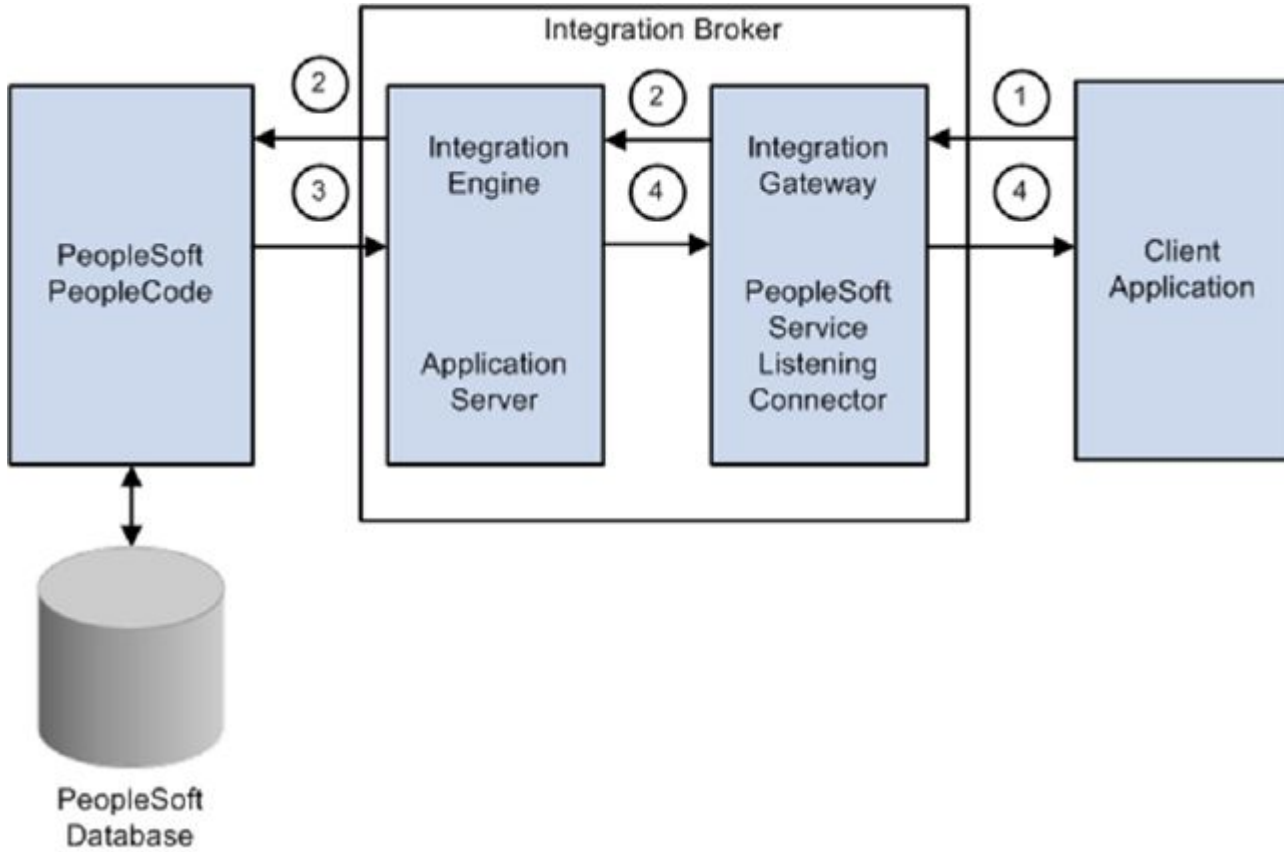
Universal Connector for PeopleSoft Process Scheduler (UPPS) controls background processing within a PeopleSoft system either from a command line or from a Universal Controller task. The command line interface allows any computer (and therefore any scheduling tool) on the network to manage PeopleSoft Process Scheduler background processing tasks via the local command line.



You indicate to Universal Connector for PeopleSoft which PeopleSoft system to connect to and what background processing tasks to perform. Universal Connector for PeopleSoft connects to the PeopleSoft system and processes your request.

Universal Connector for PeopleSoft uses the PeopleTools web service APIs to enable seamless integration with the PeopleSoft Process Scheduler.

The following diagram outlines how Universal Connector for PeopleSoft integrates with PeopleTools. In this diagram Universal Connector for PeopleSoft performs the role of the "Client Application" to interact with the ProcessRequest service in order to manage scheduling activities for processes, jobs, and jobSets in the PeopleSoft Process Scheduler.



1.1 Functionality

Universal Connector for PeopleSoft provides the functionality to integrate SAP systems into both local administrative tools and enterprise system management infrastructures.

Specifically, Universal Connector for PeopleSoft allows you to:

- Schedule processes, jobs, and jobSets
- Start processes, jobs, and jobSets
- Monitor processes, jobs, and jobSets
- Return output associated with completed or failed processes, jobs, and jobSets
- Hold processes, jobs, and jobSets
- Cancel processes, jobs, and jobSets
- Restart processes, jobs, and jobSets
- Delete processes, jobs, and jobSets
- Display various process request information
- Display Job and JobSet schedule information
- Display process parameters
- Display output produced by processes
- Display server constraint information
- Display various Process Scheduler prompt information

2 Supported PeopleSoft Versions

Universal Connector for PeopleSoft supports PeopleSoft 8.42 and later.

3 Detailed Information

The following pages provide additional detailed information for Universal Connector for PeopleSoft:

- [Universal Connector for PeopleSoft for UNIX](#)
- [Universal Connector for PeopleSoft for Windows](#)
- [Universal Connector for PeopleSoft Commands](#)
- [Universal Connector for PeopleSoft Exit Codes](#)
- [Universal Connector for PeopleSoft Configuration Options for Program Execution](#)
- [Universal Connector for PeopleSoft Configuration Options](#)
- [Universal Connector for PeopleSoft Job Definition Files](#)

4 PeopleSoft Web Services

- [PeopleSoft PROCESSREQUEST Web Service](#)
- [Communicating with PeopleSoft Web Services](#)

4.1 PeopleSoft PROCESSREQUEST Web Service

The Universal Connector for PeopleSoft Process Scheduler (UPPS) relies on the functionality of the PROCESSREQUEST web service provided by the PeopleSoft Integration Broker.

If the service is not already available on the Integration Broker, it will have to be provided before UPPS will be able carry out its functionality for that system. If necessary, the Provide Web Service Wizard of the PeopleSoft Integration Broker can easily perform the tasks required to make the PROCESSREQUEST service available.

The wizard can be opened by going to:

PeopleTools->Integration Broker->Web Services->Provide Web Services

All service operations of the PROCESSREQUEST web service should be enabled.

Refer to PeopleSoft documentation for details of using the Provide Web Service Wizard.

4.2 Communicating with PeopleSoft Web Services

UPPS requires specific connection information to communicate with the web services offered by the PeopleSoft Integration Broker. The required UPPS configuration options are described in the [HOST Options](#) section of this documentation.

This section describes where to look in the PeopleSoft system to find the values needed for those configuration options.

The main value required for communicating with the PeopleSoft web services is specified in the the [ENDPOINT](#) configuration option. This value is the path to the web service on the Integration Broker.

The value defined for a specific PeopleSoft system can be obtained by going to:

PeopleTools->Integration Broker->Configuration->Service Configuration

From there, click on the Setup Target Locations link, which will provide a dialog containing a Web Service Target Locations section. This section specifies the HTTP and HTTPS endpoints used by the Integration Broker for web services.

Typical target locations will look similar to the following:

Target Location	http://qapsft.stone.branch:8000/PSIGW/PeopleSoftServiceListeningConnector/PSFT_HR
Secure Target Location	https://qapsft.stone.branch:8443/PSIGW/PeopleSoftServiceListeningConnector/PSFT_HR

Given the Secure Target Location above, the connection portion of a UPPS command line would look like this:

```
>upps -i qapsft.stone.branch -psendpoint https://qapsft.stone.branch:8443/PSIGW/PeopleSoftServiceListeningConnector/PSFT\_HR
```

5 Universal Connector for PeopleSoft for UNIX

- [Introduction](#)
- [Usage](#)
- [Command Line Syntax](#)
 - [Example](#)

5.1 Introduction

This information is specific to Universal Connector for PeopleSoft (UPPS) for UNIX-based operating systems.

5.2 Usage

Universal Connector for PeopleSoft for UNIX executes as a command line application.

Each command line execution contains:

1. Universal Connector for PeopleSoft command (and argument).
2. Configuration options associated with that command.
3. Configuration options (required and optional) not associated with any specific command.

Each execution of Universal Connector for PeopleSoft performs an operation specified by the command. The configuration options describe information / actions for that operation.

5.3 Command Line Syntax

The following figure illustrates the command line syntax of Universal Connector for PeopleSoft for UNIX.

```
upps {CANCEL | DELETE | DISPLAY | HOLD | START | SUBMIT | WAIT}HOST USER [COMMAND FILE |
INFORMATIONAL | INSTALLATION | LOCAL | MESSAGE | SSL] [Command-Specific Options]
```

The names enclosed in {BRACES} (for example, [CANCEL](#)) identify command groups. For each execution of upps, a single command is specified from one of these groups. One or more configuration options associated with each command also can be used to specify additional information / actions for the execution. See [Universal Connector for PeopleSoft Commands](#) for detailed information on the commands, and their associated configuration options, in each command group.

The names not enclosed in {BRACES} or [BRACKETS], [HOST](#) and [USER](#), identify categories of configuration options that are associated with program execution and from which one or more configuration options are required. The names enclosed in [BRACKETS] (for example, [COMMAND FILE](#)) identify categories of configuration options that are associated with program execution and from which options are not required. See [Universal Connector for PeopleSoft Configuration Options for Program](#)

[Execution](#) for detailed information on configuration options associated with program execution, not with one or more commands.

The [Command-Specific Options](#) are configuration options associated with one more more Commands and which are not required.

5.3.1 Example

The following is an example of a command line syntax executing Universal Connector for PeopleSoft:

```
upps -sub file.usp -host Server1 -psendpoint 192.168.30.17 -userid USERNAME1 -pwd PASSWO  
RDI -lang english -level info
```

6 Universal Connector for PeopleSoft for Windows

- [Introduction](#)
- [Usage](#)
- [Command Line Syntax](#)
 - [Example](#)

6.1 Introduction

This information is specific to Universal Connector for PeopleSoft (UPPS) for Windows-based operating systems.

6.2 Usage

Universal Connector for PeopleSoft for Windows executes as a command line application.

Each command line execution contains:

1. Universal Connector for PeopleSoft command (and argument).
2. Configuration options associated with that command.
3. Configuration options (required and optional) not associated with any specific command.

Each execution of Universal Connector for PeopleSoft performs an operation specified by the command. The configuration options describe information / actions for that operation.

6.3 Command Line Syntax

The following figure illustrates the command line syntax of Universal Connector for PeopleSoft for Windows.

```
upps {CANCEL | DELETE | DISPLAY | HOLD | START | SUBMIT | WAIT} HOSTUSER [COMMAND FILE |
INFORMATIONAL | INSTALLATION | LOCAL | MESSAGE | SSL] [Command-Specific Options]
```

The names enclosed in {BRACES} (for example, [CANCEL](#)) identify command groups. For each execution of upps, a single command is specified from one of these groups. One or more configuration options associated with each command also can be used to specify additional information / actions for the execution. See [Universal Connector for PeopleSoft Commands](#) for detailed information on the commands, and their associated configuration options, in each command group.

The names not enclosed in {BRACES} or [BRACKETS], [HOST](#) and [USER](#), identify categories of configuration options that are associated with program execution and from which one or more configuration options are required. The names enclosed in [BRACKETS] (for example, [COMMAND FILE](#)) identify categories of configuration options that are associated with program execution and from which options are not required. See [Universal Connector for PeopleSoft Configuration Options for Program](#)

[Execution](#) for detailed information on configuration options associated with program execution, not with one or more commands.

The [Command-Specific Options](#) are configuration options associated with one more more Commands and which are not required.

6.3.1 Example

The following is an example of a command line syntax executing Universal Connector for PeopleSoft:

```
uups -sub file.usp -host Server1 -psendpoint 192.168.30.17 -userid USERNAME1 -pwd PASSWORD1 -lang english  
-level info
```

7 Universal Connector for PeopleSoft Commands

- [Universal Connector for PeopleSoft Commands](#)
- [Command Groups](#)
 - [Command Description](#)
 - [Command Line Syntax](#)
 - [Command Argument](#)
 - [Command Options](#)

7.1 Universal Connector for PeopleSoft Commands

This page identifies and provides links to detailed information on all commands of Universal Connector for PeopleSoft.

Each command has configuration options associated with it that can be used to specify additional information / actions for an execution of that command.

(For information on configuration options not associated with one or more specific commands, see [Universal Connector for PeopleSoft Configuration Options for Program Execution](#).)

7.2 Command Groups

Universal Connector for PeopleSoft groups commands into areas of common functionality, as shown in the following table. Each row identifies a command group, the commands in that group, and the type of operation performed by those commands.

Each command name is a link to the following information about that command:

7.2.1 Command Description

Description of the operation(s) performed by the command.

7.2.2 Command Line Syntax

Syntax of the command and its options on the command line.

7.2.3 Command Argument

Command line expression (short and/or long form) and description of the command argument.

7.2.4 Command Options

Description of the configuration options associated with the option and a link to detailed information about those options.

Command Groups	Description
CANCEL <ul style="list-style-type: none"> CANCEL PROCESS Command 	The CANCEL command group contains a single command, CANCEL PROCESS, that cancels a job or process instance.
DELETE <ul style="list-style-type: none"> DELETE PROCESS Command 	The DELETE command group contains a single command, DELETE PROCESS, that deletes a job or process instance.
DISPLAY <ul style="list-style-type: none"> DISPLAY OUTPUT FORMATS Command DISPLAY OUTPUT TYPES Command DISPLAY PRCS GET REPORT Command DISPLAY PRCS GET REQUEST Command DISPLAY PRCS GET SERVER CONSTRAINTS Command DISPLAY PRCS PARAMS Command DISPLAY PRCS PRINT JOB HTML REPORT Command DISPLAY PRCS PRINT JOB REQUEST REPORT Command DISPLAY PRCS PRINT SCHED HTML REPORT Command DISPLAY PRCS PROMPT Command DISPLAY PROCESS NAMES Command DISPLAY REQUESTS Command 	The DISPLAY command group contains commands that display various types of PeopleSoft data.
HOLD <ul style="list-style-type: none"> HOLD PROCESS Command 	The HOLD command group contains a single command, HOLD PROCESS, that places a job or process instance on hold
START <ul style="list-style-type: none"> START JOBSET Command 	The START command group contains a single command, START JOBSET, that starts a jobset.
SUBMIT <ul style="list-style-type: none"> SUBMIT PROCESS Command 	The SUBMIT command group contains a single command, SUBMIT PROCESS, that schedules a job or process.
WAIT <ul style="list-style-type: none"> WAIT for PROCESS 	The WAIT command group contains a single command, WAIT for PROCESS, that waits for a job or process instance to complete.

7.3 CANCEL PROCESS - UPPS Command

- [Description](#)
- [Command Line Syntax](#)
- [Configuration Options](#)
- [Example](#)

7.3.1 Description

The CANCEL PROCESS command cancels the specified process instance in the PeopleSoft system.

7.3.2 Command Line Syntax

The following figure illustrates the command line syntax of the CANCEL PROCESS command, using the command line, long form of its [configuration options](#).

```
upps -cancel -processinstance number
```

7.3.3 Configuration Options

The following table describes all CANCEL PROCESS configuration options and provides the command line, long form of each option illustrated in the [CANCEL PROCESS command line syntax](#), above.

Configuration Option Name	Command Line Long Form	Description
PROCESS_INSTANCE	-processinstance	Process instance number identifying the process to be canceled.

7.3.4 Example

```
upps -userid USERNAME1 -pwd PASSWORD1 -host qapsft.stone.branch -port 8000 -cancel
-processinstance 140596

UNV6823I Process instance 71729184 was successfully cancelled.
UNV6830E Universal Connector for PeopleSoft Process Scheduler ending with exit code 0.
```

7.4 DELETE PROCESS - UPPS Command

- [Description](#)
- [Command Line Syntax](#)
- [Configuration Options](#)
- [Example](#)

7.4.1 Description

The DELETE PROCESS command deletes the specified process instance from the PeopleSoft system.

7.4.2 Command Line Syntax

The following figure illustrates the command line syntax of the DELETE PROCESS command, using the command line, long form of its [configuration options](#).

```
-delete -processinstance number
```

7.4.3 Configuration Options

The following table describes all DELETE PROCESS configuration options and provides the command line, long form of each option illustrated in the [DELETE PROCESS command line syntax](#), above.

Configuration Option Name	Command Line Long Form	Description
PROCESS_INSTANCE	-processinstance	Process instance number identifying the process to be deleted.

7.4.4 Example

```
upps -userid USERNAME1 -pwd PASSWORD1 -host qapsft.stone.branch -port 8000 -delete
-processinstance 140593

UNV6822I Process instance 44924272 was successfully deleted.
UNV6830E Universal Connector for PeopleSoft Process Scheduler ending with exit code 0.
```

7.5 DISPLAY OUTPUT FORMATS - UPPS Command

- [Description](#)
- [Command Line Syntax](#)
- [Command Argument](#)
- [Configuration Options](#)
- [Example](#)

7.5.1 Description

The DISPLAY OUTPUT FORMATS command displays a list of available output destination formats.

7.5.2 Command Line Syntax

The following figure illustrates the command line syntax of the DISPLAY OUTPUT FORMATS command, using the command line, long form of its [configuration options](#).

```
-display prcs_get_outputformats
[-processtype type][-processname name][-outputdestinationtype type][-langcode code][-outfmt {text | xml}]
```

7.5.3 Command Argument

The DISPLAY OUTPUT FORMATS command can be expressed as either:

- -D (Short form)
- -display (Long form)

The DISPLAY OUTPUT FORMATS command argument, **prcs_get_outputformats**, displays a list of available output destination formats for the specified process resource.

7.5.4 Configuration Options

The following table describes all DISPLAY OUTPUT FORMATS configuration options and provides the command line, long form of each option illustrated in the [DISPLAY OUTPUT FORMATS command line syntax](#), above.

Configuration Option Name	Command Line Long Form	Description
PROCESS_TYPE	-processtype	Filter requests by this process type.
PROCESS_NAME	-processname	Filter requests by this process name.
OUTPUT_DESTINATION_TYPE	-outputdestinationtype	Filter requests by this output destination type.
LANGUAGE_CODE	-langcode	Filter requests by this language code.
OUTPUT_FORMAT	-outfmt	Format of the output for this command.

7.5.5 Example

```
uups -userid USERNAME1 -pwd PASSWORD1 -host qapsft.stone.branch -port 8000 -display
prcs_get_outputformats -processtype "AppEngine" -processname "PSXPQRYRPT"
-outfmt "WEB"

sname PSXPQRYRPT -outputdestinationtype WEB
Process Type.....: AppEngine
Process Name.....: PSXPQRYRPT
Output Type Value...: WEB
Output Format Value.: Rich Text File (*.rtf)
```

```

Is Active.....: Yes
Is Default Type.....: No

Process Type.....: AppEngine
Process Name.....: PSXPQRYRPT
Output Type Value...: WEB
Output Format Value.: Text Files (*.txt)
Is Active.....: Yes
Is Default Type.....: No

Process Type.....: AppEngine
Process Name.....: PSXPQRYRPT
Output Type Value...: WEB
Output Format Value.: Acrobat (*.pdf)
Is Active.....: Yes
Is Default Type.....: No

Process Type.....: AppEngine
Process Name.....: PSXPQRYRPT
Output Type Value...: WEB
Output Format Value.: HTML Documents (*.htm)
Is Active.....: Yes
Is Default Type.....: Yes

Process Type.....: AppEngine
Process Name.....: PSXPQRYRPT
Output Type Value...: WEB
Output Format Value.: Microsoft Excel Files (*.xls)
Is Active.....: Yes
Is Default Type.....: No
    
```

UNV6830E Universal Connector for PeopleSoft Process Scheduler ending with exit code 0.

7.6 DISPLAY OUTPUT TYPES - UPPS Command

- [Description](#)
- [Command Line Syntax](#)
- [Command Argument](#)
- [Configuration Options](#)
- [Example](#)

7.6.1 Description

The DISPLAY OUTPUT TYPES command displays a list of available output types for the specified process resource.

7.6.2 Command Line Syntax

The following figure illustrates the command line syntax of the DISPLAY OUTPUT TYPES command, using the command line, long form of its [configuration options](#).

```
-display prcs_get_outputtypes
[-processtype type][-processname name][-langcode code][-outfmt {text | xml}]
```

7.6.3 Command Argument

The DISPLAY OUTPUT TYPES command can be expressed as either:

- -D (Short form)
- -display (Long form)

The DISPLAY OUTPUT TYPES command argument, **prcs_get_outputtypes**, displays a list of available output types for the specified process resource.

7.6.4 Configuration Options

The following table describes all DISPLAY OUTPUT TYPES configuration options and provides the command line, long form of each option illustrated in the [DISPLAY OUTPUT TYPES command line syntax](#), above.

Configuration Option Name	Command Line Long Form	Description
PROCESS_TYPE	-processtype	Filter requests by this process type.
PROCESS_NAME	-processname	Filter requests by this process name.
LANGUAGE_CODE	-langcode	Filter requests by this language code.
OUTPUT_FORMAT	-outfmt	Format of the output for this command.

7.6.5 Example

```
upps -userid USERNAME1 -pwd PASSWORD1 -host qapsft.stone.branch -port 8000 -display
prcs_get_outputtypes -processtype "AppEngine"
```

```
Process Type.....: AppEngine
Process Name.....: -
Output Type Value.: FILE
Is Active.....: Yes
Is Default Type...: No
```

```
Process Type.....: AppEngine
Process Name.....: -
Output Type Value.: WINDOW
```

Is Active.....: Yes
 Is Default Type...: No

Process Type.....: AppEngine
 Process Name.....: -
 Output Type Value.: EMAIL
 Is Active.....: Yes
 Is Default Type...: No

Process Type.....: AppEngine
 Process Name.....: -
 Output Type Value.: WEB
 Is Active.....: Yes
 Is Default Type...: Yes

Process Type.....: AppEngine
 Process Name.....: PSCONQRS
 Output Type Value.: FILE
 Is Active.....: Yes
 Is Default Type...: No

Process Type.....: AppEngine
 Process Name.....: PSCONQRS
 Output Type Value.: WINDOW
 Is Active.....: Yes
 Is Default Type...: No

Process Type.....: AppEngine
 Process Name.....: PSCONQRS
 Output Type Value.: WEB
 Is Active.....: Yes
 Is Default Type...: Yes

Process Type.....: AppEngine
 Process Name.....: PSCONQRS
 Output Type Value.: IB Node
 Is Active.....: Yes
 Is Default Type...: No

Process Type.....: AppEngine
 Process Name.....: PSQUERY
 Output Type Value.: FILE
 Is Active.....: Yes
 Is Default Type...: No

Process Type.....: AppEngine
 Process Name.....: PSQUERY
 Output Type Value.: WINDOW
 Is Active.....: Yes
 Is Default Type...: No

Process Type.....: AppEngine
 Process Name.....: PSQUERY
 Output Type Value.: EMAIL
 Is Active.....: Yes
 Is Default Type...: No

Process Type.....: AppEngine
 Process Name.....: PSQUERY
 Output Type Value.: WEB
 Is Active.....: Yes
 Is Default Type...: Yes

Process Type.....: AppEngine
 Process Name.....: PSQUERY
 Output Type Value.: FEED
 Is Active.....: Yes
 Is Default Type...: No

Process Type.....: AppEngine
 Process Name.....: PSQUERY
 Output Type Value.: IB Node
 Is Active.....: Yes
 Is Default Type...: No

Process Type.....: AppEngine
 Process Name.....: PSXPQRYRPT
 Output Type Value.: FILE
 Is Active.....: Yes
 Is Default Type...: No

Process Type.....: AppEngine
 Process Name.....: PSXPQRYRPT
 Output Type Value.: PRINTER
 Is Active.....: Yes
 Is Default Type...: No

Process Type.....: AppEngine
 Process Name.....: PSXPQRYRPT
 Output Type Value.: WINDOW
 Is Active.....: Yes
 Is Default Type...: No

Process Type.....: AppEngine
 Process Name.....: PSXPQRYRPT
 Output Type Value.: EMAIL
 Is Active.....: Yes
 Is Default Type...: No

Process Type.....: AppEngine
 Process Name.....: PSXPQRYRPT
 Output Type Value.: WEB
 Is Active.....: Yes
 Is Default Type...: Yes

UNV6830E Universal Connector for PeopleSoft Process Scheduler ending with exit code 0.

7.7 DISPLAY PRCS GET REPORT - UPPS Command

- [Description](#)
- [Command Line Syntax](#)
- [Command Argument](#)
- [Configuration Options](#)
- [Example](#)

7.7.1 Description

The DISPLAY PRCS GET REPORT command displays a report from the PeopleSoft Report Repository.

7.7.2 Command Line Syntax

The following figure illustrates the command line syntax of the DISPLAY PRCS GET REPORT command, using the command line, long form of its [configuration options](#).

```
-display prcs_getreport -contentid ID [-outfmt {text | xml}]
```

7.7.3 Command Argument

The DISPLAY PRCS GET REPORT command can be expressed as either:

- -D (Short form)
- -display (Long form)

The DISPLAY PRCS GET REPORT command argument, **prcs_getreport**, displays a report from the PeopleSoft Report Repository.

7.7.4 Configuration Options

The following table describes all DISPLAY PRCS GET REPORT configuration options and provides the command line, long form of each option illustrated in the [DISPLAY PRCS GET REPORT command line syntax](#), above.

Configuration Option Name	Command Line Long Form	Description
CONTENT_ID	-contentid	Content ID that identifies the report to be returned from the report repository.
OUTPUT_FORMAT	-outfmt	Format of the output for this command.

7.7.5 Example

```
upps -userid USERNAME1 -pwd PASSWORD1 -host qapsft.stone.branch -port 8000 -display
prcs_getreport -contentid 29615
```

```
Report URL: http://qapsft.stone.branch:8000/psreports/ps/29615/AE_TREEMOVER_140591.stdout
PeopleTools 8.55.09 - Application Engine Server
Copyright (c) 1988-2018 Oracle and/or its affiliates.
All Rights Reserved
PSAESRV started service request at 13.33.57 2018-02-08
No filename provided (2,901) TREEMOVER.Deleting.GBL.default.1900-01-01.Step01.OnExecute
PCPC:167 Statement:5
Process 140591 ABENDED at Step TREEMOVER.Deleting.Step01 (PeopleCode) -- RC = 8 (108,524)
Process %s ABENDED at Step %s.%s.%s (Action %s) -- RC = %s
PSAESRV completed service request at 13.33.57 2018-02-08

UNV6830E Universal Connector for PeopleSoft Process Scheduler ending with exit code 0.
```

7.8 DISPLAY PRCS GET REQUEST - UPPS Command

- [Description](#)
- [Command Line Syntax](#)
- [Command Argument](#)
- [Configuration Options](#)
- [Example](#)

7.8.1 Description

The DISPLAY PRCS GET REQUEST command displays Get process request information for a specific request instance.

7.8.2 Command Line Syntax

The following figure illustrates the command line syntax of the DISPLAY PRCS GET REQUEST command, using the command line, long form of its [configuration options](#).

```
-display prcs_getrequest -processinstance number [-outfmt {text | xml}]
```

7.8.3 Command Argument

The DISPLAY PRCS GET REQUEST command can be expressed as either:

- -D (Short form)
- -display (Long form)

The DISPLAY PRCS GET REQUEST command argument, **prcs_getrequests**, displays the Get process request information for a specific request instance.

7.8.4 Configuration Options

The following table describes all DISPLAY PRCS GET REQUEST configuration options and provides the command line, long form of each option illustrated in the [DISPLAY PRCS GET REQUEST command line syntax](#), above.

Configuration Option Name	Command Line Long Form	Description
PROCESS_INSTANCE	-processinstance	Process instance number identifying the request to be returned.
OUTPUT_FORMAT	-outfmt	Format of the output for this command: <ul style="list-style-type: none"> • text: output will be formatted for human consumption. • xml: output will be formatted as XML.

7.8.5 Example

```
uups -userid USERNAME1 -pwd PASSWORD1 -host qapsft.stone.branch -port 8000 -display prcs_getrequest -processinstance 140595
```

```
Process Instance.....: 140595
Process Name.....: TREEMOVER
Process Type.....: Application Engine
Run Control Id.....: ESS1A
Server Name Run.....: PRCS1090
Operator Id.....: USERNAME1
Request Date Time.....: 2018-02-08-13.39.30.095806
Run Date Time.....: 2018-02-08-13.39.29.000000
Begin Date Time.....: 2018-02-08-13.47.06.608259
End Date Time.....: 2018-02-08-13.47.71.682346
Output Destination Format.: TXT
Output Destination Type...: WEB
Run Status.....: No Success
Distribution Status.....: Posted
Content Id.....: 29618
```

```
UNV6830E Universal Connector for PeopleSoft Process Scheduler ending with exit code 0.
```

7.9 DISPLAY PRCS GET SERVER CONSTRAINTS - UPPS Command

- [Description](#)
- [Command Line Syntax](#)
- [Command Argument](#)
- [Configuration Options](#)
- [Example](#)

7.9.1 Description

The DISPLAY PRCS GET SERVER CONSTRAINTS command displays server constraint information for servers matching the specified criteria.

7.9.2 Command Line Syntax

The following figure illustrates the command line syntax of the DISPLAY PRCS GET SERVER CONSTRAINTS command, using the command line, long form of its [configuration options](#).

```
-display prcs_getserverconstraints
[-servername name][-processtype type][-outfmt {text | xml}]
```

7.9.3 Command Argument

The DISPLAY PRCS GET SERVER CONSTRAINTS command can be expressed as either:

- -D (Short form)
- -display (Long form)

The DISPLAY PRCS GET SERVER CONSTRAINTS command argument, **prcs_getserverconstraints**, displays server constraint information for servers matching the specified criteria.

7.9.4 Configuration Options

The following table describes all DISPLAY PRCS GET SERVER CONSTRAINTS configuration options and provides the command line, long form of each option illustrated in the [DISPLAY PRCS GET SERVER CONSTRAINTS command line syntax](#), above.

Configuration Option Name	Command Line Long Form	Description
SERVER_NAME	-servername	Specific server name for which constraints will be returned.
PROCESS_TYPE	-processtype	Specific process type for which constraints will be returned.
OUTPUT_FORMAT	-outfmt	Format of the output for this command.

7.9.5 Example

```
upps -userid USERNAME1 -pwd PASSWORD1 -host qapsft.stone.branch -port 8000 -display
prcs_getserverconstraints -processtype "Application Engine"
```

```
Server Name..: PRCS1090
Process Type.: Application Engine
Current Load.: 0
Max Load.....: 3
```

```
Server Name..: PSCDB
Process Type.: Application Engine
Current Load.: 0
Max Load.....: 1
```

```
Server Name..: PSNT
Process Type.: Application Engine
Current Load.: 0
Max Load.....: 3
```

```
Server Name..: PSOS390
Process Type.: Application Engine
Current Load.: 0
Max Load.....: 3
```

```
Server Name..: PSUNX
Process Type.: Application Engine
Current Load.: 0
Max Load.....: 6
```

UNV6830E Universal Connector for PeopleSoft Process Scheduler ending with exit code 0.

7.10 DISPLAY PRCS PARAMS - UPPS Command

- [Description](#)
- [Command Line Syntax](#)
- [Command Argument](#)
- [Configuration Options](#)
- [Example](#)

7.10.1 Description

The DISPLAY PRCS PARAMS command displays the list of parameter values for a PeopleSoft job or process.

Note

The job or process must have generic prompting enabled and runtime parameters defined.

7.10.2 Command Line Syntax

The following figure illustrates the command line syntax of the DISPLAY PRCS PARAMS command, using the command line, long form of its [configuration options](#).

```
-display prcs_params {-jobname name | -processname name} -processtype type [-outfmt {text | xml}]
```

7.10.3 Command Argument

The DISPLAY PRCS PARAMS command can be expressed as either:

- -D (Short form)
- -display (Long form)

The DISPLAY PRCS PARAMS command argument, **prcs_params**, displays the list of parameter values for a PeopleSoft job or process.

7.10.4 Configuration Options

The following table describes all DISPLAY PRCS PARAMS configuration options and provides the command line, long form of each option illustrated in the [DISPLAY PRCS PARAMS command line syntax](#), above.

Configuration Option Name	Command Line Long Form	Description
JOB_NAME	-jobname	Job name for which parameters will be returned.
OUTPUT_FORMAT	-outfmt	Format of the output for this command: <ul style="list-style-type: none"> • text: output will be formatted for human consumption. • xml: output will be formatted as XML.
PROCESS_NAME	-processname	Name of the PeopleSoft process for which parameters will be returned.
PROCESS_TYPE	-processtype	Type of PeopleSoft process for which parameter names will be returned.

7.10.5 Example

```

upps -userid USERNAME1 -pwd PASSWORD1 -host qapsft.stone.branch -port 8000 -display
prcs_params -processname TREEMOVER

Process Name.....: TREEMOVER
Process Type.....: Application Engine
Record Name.....: RUN_TREEMOVER
Record Field Name.....: FILENAME
Parameter Name.....: File Name
Application Class Method.: .

Process Name.....: TREEMOVER
Process Type.....: Application Engine
Record Name.....: RUN_TREEMOVER
Record Field Name.....: TREE_NAME
Parameter Name.....: Tree Name
Application Class Method.: .

Process Name.....: TREEMOVER
Process Type.....: Application Engine
Record Name.....: RUN_TREEMOVER
Record Field Name.....: TREE_EFFDT
Parameter Name.....: Effective Date of Tree
Application Class Method.: .

UNV6830E Universal Connector for PeopleSoft Process Scheduler ending with exit code 0.

```

7.11 DISPLAY PRCS PRINT JOB HTML REPORT - UPPS Command

- [Description](#)
- [Command Line Syntax](#)
- [Command Argument](#)
- [Configuration Options](#)
- [Example](#)

7.11.1 Description

The DISPLAY PRCS PRINT JOB HTML REPORT command displays a report with all items in a job or jobset, as defined in the job definition component.

7.11.2 Command Line Syntax

The following figure illustrates the command line syntax of the DISPLAY PRCS PRINT JOB HTML REPORT command, using the command line, long form of its [configuration options](#).

```
-display prcs_print_jobhtmlreport -jobname name [-outfmt {text | xml}]
```

7.11.3 Command Argument

The DISPLAY PRCS PRINT JOB HTML REPORT command can be expressed as either:

- -D (Short form)
- -display (Long form)

The DISPLAY PRCS PRINT JOB HTML REPORT command argument, **prcs_print_jobhtmlreport**, displays a report with all items in a job or jobset, as defined in the job definition component.

7.11.4 Configuration Options

The following table describes all DISPLAY PRCS PRINT JOB HTML REPORT configuration options and provides the command line, long form of each option illustrated in the [DISPLAY PRCS PRINT JOB HTML REPORT command line syntax](#), above.

Configuration Option Name	Command Line Long Form	Description
JOB_NAME	-jobname	Job name for which parameters will be returned.
OUTPUT_FORMAT	-outfmt	Format of the output for this command.

7.11.5 Example

```
uups -userid USERNAME1 -pwd PASSWORD1 -host qapsft.stone.branch -port 8000 -display  
prcs_print_jobhtmlreport -jobname CC_TEST
```

```
  
<span class='PSTEXT' ><strong>CC_TEST</strong></span><br />  
  
  
  
<span class='PSTEXT' >1 FGHR003A: 60 Day Probation Term Notices (Application Engine)</  
span><br />  
  
  
  
<span class='PSTEXT' >2 TREEMOVER: Tree Mover (Application Engine)</span><br />  
<p>&nbsp;</p>
```

UNV6830E Universal Connector for PeopleSoft Process Scheduler ending with exit code 0.

7.12 DISPLAY PRCS PRINT JOB REQUEST REPORT - UPPS Command

- [Description](#)
- [Command Line Syntax](#)
- [Command Argument](#)
- [Configuration Options](#)
- [Example](#)

7.12.1 Description

The DISPLAY PRCS PRINT JOB REQUEST REPORT command displays a report containing the current status of a specific process, job, or jobset.

7.12.2 Command Line Syntax

The following figure illustrates the command line syntax of the DISPLAY PRCS PRINT JOB REQUEST REPORT command, using the command line, long form of its [configuration options](#).

```
-display prcs_print_jobrequestreport -processinstance number[-iteminstance number][-  
printjobtree {yes | no}]  
[-printdistlist {yes | no}]  
[-printsystemmessage {yes | no}]  
[-printapplicationmessage {yes | no}]  
[-printparamlist {yes | no}]  
[-outfmt {text | xml}]
```

7.12.3 Command Argument

The DISPLAY PRCS PRINT JOB REQUEST REPORT command can be expressed as either:

- -D (Short form)
- -display (Long form)

The DISPLAY PRCS PRINT JOB REQUEST REPORT command argument, **prcs_print_jobrequestreport**, displays a report containing the current status of a specific process, job, or jobset.

7.12.4 Configuration Options

The following table describes all DISPLAY PRCS PRINT JOB REQUEST REPORT configuration options and provides the command line, long form of each option illustrated in the [DISPLAY PRCS PRINT JOB REQUEST REPORT command line syntax](#), above.

Configuration Option Name	Command Line Long Form	Description
PROCESS_INSTANCE	-processinstance	Process instance number identifying the job, jobset, or process.
ITEM_INSTANCE	-iteminstance	Instance number of the scheduled job or jobset.
PRINT_JOB_TREE	-printjobtree	Specification for whether or not the job tree is included in the report.
PRINT_DIST_LIST	-printdistlist	Specification for whether or not the report-recipient distribution list is included in the report.
PRINT_SYSTEM_MESSAGE	-printsystemmessage	Specification for whether or not system messages are included in the report.
PRINT_APPLICATION_MESSAGE	-printapplicationmessage	Specification for whether or not application messages are included in the report.
PRINT_PARAM_LIST	-printparamlist	Specification for whether or not the parameter list for job items are included in the report.
OUTPUT_FORMAT	-outfmt	Format of the output for this command.

7.12.5 Example

```
uups -userid USERNAME1 -pwd PASSWORD1 -host qapsft.stone.branch -port 8000 -display
prcs_print_jobrequestreport -processinstance 140596
```

```
<!DOCTYPE HTML PUBLIC "-//W3C//DTD HTML 4.0 Transitional//EN">
<HTML><HEAD><TITLE>Job Report</TITLE>
<META content="text/html; charset=windows-1252" http-equiv=Content-Type>
<STYLE type=text/css>
.PSHEADER {BACKGROUND-COLOR: rgb(51,51,153); COLOR: rgb(255,255,255); FONT-FAMILY:
"Arial","sans-serif"; FONT-SIZE: 9pt; FONT-STYLE: normal; FONT-WEIGHT: bold}
.PSEVENROW {BACKGROUND-COLOR: rgb(255,255,255); COLOR: rgb(0,0,0); FONT-FAMILY:
"Arial","sans-serif"; FONT-SIZE: 9pt; FONT-STYLE: normal; FONT-WEIGHT: normal}
.PSODDROW {BACKGROUND-COLOR: rgb(226,226,226); COLOR: rgb(0,0,0); FONT-FAMILY:
"Arial","sans-serif"; FONT-SIZE: 9pt; FONT-STYLE: normal; FONT-WEIGHT: normal}
</STYLE>
<META content="MSHTML 5.00.3103.1000" name=GENERATOR></HEAD>
<BODY>

<span class='PSTEXT' ><strong>CC_TEST</strong></span><br />



<span class='PSTEXT' >1 FGHR003A: 60 Day Probation Term Notices (Application Engine)</
span><br />



<span class='PSTEXT' >2 TREEOVER: Tree Mover (Application Engine)</span><br />
<p>&nbsp;</p><TABLE cellPadding=2 cellSpacing=0 width="100%">
<TBODY>
```

```

<TR>
  <TD>
    <TABLE border=1 cellPadding=3 cellSpacing=0 width="100%">
      <TBODY>
        <tr>
          <th class='PSHEADER' colspan="3" bordercolor=rgb(51,51,153)><p align="left">Instance: 140596</p></th>
          <th class='PSHEADER' colspan="9" bordercolor=rgb(51,51,153)>Job Name: CC_TEST - CC_TEST</th>
        </tr>
        <tr>
          <th class='PSHEADER' colspan="3" bordercolor=rgb(51,51,153)><p align="left">Mode: Serial</p></th>
          <th class='PSHEADER' colspan="9" bordercolor=rgb(51,51,153)>&nbsp;</th>
        </tr>
        <tr>
          <th class='PSHEADER' width="5%">Seq.</th>
          <th class='PSHEADER' width="10%">Instance</th>
          <th class='PSHEADER' width="10%">Process Name</th>
          <th class='PSHEADER' width="15%">Description</th>
          <th class='PSHEADER' width="10%">Process Type</th>
          <th class='PSHEADER' width="5%">Run Status</th>
          <th class='PSHEADER' width="10%">Run Control ID</th>
          <th class='PSHEADER' width="5%">Type</th>
          <th class='PSHEADER' width="8%">Output Format</th>
          <th class='PSHEADER' width="8%">Server Name</th>
          <th class='PSHEADER' width="7%">Begin Date/Time</th>
          <th class='PSHEADER' width="7%">End Date/Time</th>
        </tr>
        <tr>
          <td class='PSEVENROW' align="center" width="5%">1</td>
          <td class='PSEVENROW' align="center" width="8%">140597</td>
          <td class='PSEVENROW' width="10%"><a href=http://qapsft.stone.branch:8000/psc/ps/EMPLOYEE/PSFT_HR/c/CDM_RPT.CDM_RPT.GBL?Page=CDM_RPT_INDEX&Action=U&CDM_ID=29619>FGHR003A</a></td>;
          <td class='PSEVENROW' width="15%">60 Day Probation Term Notices</td>
          <td class='PSEVENROW' align="center" width="10%">Application Engine</td>
          <td class='PSEVENROW' align="center" width="8%">Success</td>
          <td class='PSEVENROW' align="center" width="5%">ESS1A</td>
          <td class='PSEVENROW' align="center" width="5%">Web</td>
          <td class='PSEVENROW' align="center" width="8%">Text Files (*.txt)</td>
          <td class='PSEVENROW' align="center" width="8%">PRCS1090</td>
          <td class='PSEVENROW' align="center" width="7%">2018-02-08-14.00.54.225342</td>
          <td class='PSEVENROW' align="center" width="7%">2018-02-08-14.01.09.302245</td>
        </tr>
        <tr>
          <td class='PSEVENROW' colspan="2">&nbsp;</td>
          <td class='PSEVENROW' colspan="10">
            <p><strong>Parameter:</strong></p>
            <p>psae -CT ORACLE -CD HR92U19 -CO "PASSWORD1" -CP OPRPSWD -R ESS1A -I 140597 -AI FGHR003A -OT 6 -FP "/home/psadm2/psft/pt/8.55/appserv/prcs/PRCSDOM/log_output/AE_FGHR003A_140597/" -OF 14</p>
            <p><strong>Distribution List:</strong></p>
            <table border="1" cellpadding="3" cellspacing="0" bordercolor="#CCCCCC">

```

```

        <td class='PSEVENROW' ><strong>Type</strong></td>
        <td class='PSEVENROW' ><strong>Name</strong></td>
    </tr>
<tr>
    <td class='PSEVENROW' >User</td>
    <td class='PSEVENROW' >PS</td>
</tr>
<tr>
    <td class='PSEVENROW' >User</td>
    <td class='PSEVENROW' >USERNAME1</td>
</tr>
</table>
<p><strong>Application Messages:</strong></p>
<p>Published message with ID 6c706d4e-0d02-11e8-b10f-f5bb5f09b289 to create entry
in folder GENERAL. (65,435)</p>
<p>Successfully posted generated files to the report repository (65,71)</p>
</td></tr>
<tr>
    <td class='PSODDROW' align="center" width="5%">2</td>
    <td class='PSODDROW' align="center" width="8%">140598</td>
    <td class='PSODDROW' width="10%">TREETOVER</td>
    <td class='PSODDROW' width="15%">Tree Mover</td>
    <td class='PSODDROW' align="center" width="10%">Application Engine</td>
    <td class='PSODDROW' align="center" width="8%">Cancelled</td>
    <td class='PSODDROW' align="center" width="5%">ESS1A</td>
    <td class='PSODDROW' align="center" width="5%">Web</td>
    <td class='PSODDROW' align="center" width="8%">Text Files (*.txt)</td>
    <td class='PSODDROW' align="center" width="8%">PRCS1090</td>
    <td class='PSODDROW' align="center" width="7%">2018-02-08-14.01.10.463487</td>
    <td class='PSODDROW' align="center" width="7%">2018-02-08-14.01.13.250880</td>
</tr>
<tr>
    <td class='PSODDROW' colspan="2">&nbsp;</td>
    <td class='PSODDROW' colspan="10">
        <p><strong>Parameter:</strong></p>
        <p>psae -CT ORACLE -CD HR92U19 -CO "PASSWORD1" -CP OPRPSWD -R ESS1A -I 140598 -AI
TREETOVER -OT 6 -FP "/home/psadm2/psft/pt/8.55/appserv/prcs/PRCSDOM/log_output/
AE_TREETOVER_140598/" -OF 14</p>
        <p><strong>Distribution List:</strong></p>
        <table border="1" cellpadding="3" cellspacing="0" bordercolor="#CCCCCC">
<tr>
    <td class='PSODDROW' ><strong>Type</strong></td>
    <td class='PSODDROW' ><strong>Name</strong></td>
</tr>
<tr>
    <td class='PSODDROW' >User</td>
    <td class='PSODDROW' >PS</td>
</tr>
<tr>
    <td class='PSODDROW' >User</td>
    <td class='PSODDROW' >USERNAME1</td>
</tr>
</table>
        <p><strong>Application Messages:</strong></p>
        <p>PeopleCode Exit(1) Abort invoked by Application at TREETOVER.Export.Step01.
(108,543)</p>
    </td>
</tr>

```

```

    <p>Process 140598 ABENDED at Step TREEMOVER.Export.Step01 (PeopleCode) -- RC = ?
(108,524)</p>
    <p>140598 TREEMOVER Export Step01 PeopleCode ? %7 %8 %9 (65,30)</p>
    <p>Published message with ID 761ff1a2-0d02-11e8-b10f-f5bb5f09b289 to create entry
in folder GENERAL. (65,435)</p>
    <p>Successfully posted generated files to the report repository (65,71)</p>
</td></tr>
</TBODY></TABLE>
<p>&nbsp;</p> </TD></TR></TBODY></TABLE>
<BR></BODY></HTML>

```

UNV6830E Universal Connector for PeopleSoft Process Scheduler ending with exit code 0.

7.13 DISPLAY PRCS PRINT SCHED HTML REPORT - UPPS Command

- [Description](#)
- [Command Line Syntax](#)
- [Command Argument](#)
- [Configuration Options](#)
- [Example](#)

7.13.1 Description

The DISPLAY PRCS PRINT SCHED HTML REPORT command displays a report listing all items in a job or jobset, as defined in the Scheduled Jobset Definition component.

7.13.2 Command Line Syntax

The following figure illustrates the command line syntax of the DISPLAY PRCS PRINT SCHED HTML REPORT command, using the command line, long form of its [configuration options](#).

```

-display prcs_print_schedhtmlreport -mainschedname name -mainjobname name[-printjobtree
{yes | no}]
[-printdistlist {yes | no}]
[-printnotifylist {yes | no}]
[-printmessagelist {yes | no}]
[-printparamlist {yes | no}]
[-outfmt {text | xml}]

```

7.13.3 Command Argument

The DISPLAY PRCS PRINT SCHED HTML REPORT command can be expressed as either:

- -D (Short form)

- -display (Long form)

The DISPLAY PRCS PRINT SCHED HTML REPORT command argument, **prcs_print_schedhtmlreport**, displays a report listing all items in a job or jobset, as defined in the Scheduled Jobset Definition component.

7.13.4 Configuration Options

The following table describes all DISPLAY PRCS PRINT SCHED HTML REPORT configuration options and provides the command line, long form of each option illustrated in the [DISPLAY PRCS PRINT SCHED HTML REPORT command line syntax](#), above.

Configuration Option Name	Command Line Long Form	Description
MAIN_SCHED_NAME	-mainschedname	Name of the jobset schedule.
MAIN_JOB_NAME	-mainjobname	Name of the job within the jobset schedule.
PRINT_JOB_TREE	-printjobtree	Specification for whether or not the job tree is included in the report.
PRINT_DIST_LIST	-printdistlist	Specification for whether or not the report-recipient distribution list is included in the report.
PRINT_NOTIFY_LIST	-printnotifylist	Specification for whether or not the notify list is included in the report.
PRINT_MESSAGE_LIST	-printmessagelist	Specification for whether or not the messages that will be emailed upon completion of a job item are included in the report.
PRINT_APPLICATION_MESSAGE	-printmpplicationessage	Specification for whether or not the messages specified from the Process Definition or Job Definition page are included in the report.
PRINT_PARAM_LIST	-pirntparamlist	Specification for whether or not the parameter list for job items are included in the report.
OUTPUT_FORMAT	-outfmt	Format of the output for this command.

7.13.5 Example

```
uups -userid USERNAME1 -pwd PASSWORD1 -host qapsft.stone.branch -port 8000 -display
prcs_print_schedhtmlreport -mainschedname ESSJS1 -mainjobname ESSJ1
```

```
<!DOCTYPE HTML PUBLIC "-//W3C//DTD HTML 4.0 Transitional//EN">
<HTML><HEAD><TITLE>Job Report</TITLE>
<META content="text/html; charset=windows-1252" http-equiv=Content-Type>
<STYLE type=text/css>
.PSHEADER {BACKGROUND-COLOR: rgb(51,51,153); COLOR: rgb(255,255,255); FONT-FAMILY:
"Arial","sans-serif"; FONT-SIZE: 9pt; FONT-STYLE: normal; FONT-WEIGHT: bold}
.PSEVENROW {BACKGROUND-COLOR: rgb(255,255,255); COLOR: rgb(0,0,0); FONT-FAMILY:
"Arial","sans-serif"; FONT-SIZE: 9pt; FONT-STYLE: normal; FONT-WEIGHT: normal}
.PSODDROW {BACKGROUND-COLOR: rgb(226,226,226); COLOR: rgb(0,0,0); FONT-FAMILY:
"Arial","sans-serif"; FONT-SIZE: 9pt; FONT-STYLE: normal; FONT-WEIGHT: normal}
</STYLE>
<META content="MSHTML 5.00.3103.1000" name=GENERATOR></HEAD>
```

```

<BODY>

<span class='PSTEXT' ><strong>ESSJS1</strong></span><br />


<span class='PSTEXT' ><strong>ESSJ1</strong></span><br />



<span class='PSTEXT' >1 ABS001: Employee Absence Report (SQR Report)</span><br />
<p>&nbsp;</p><TABLE cellpadding=2 cellspacing=0 width="100%">
  <TBODY>
    <TR>
      <TD>
        <TABLE border=1 cellpadding=3 cellspacing=0 width="100%">
          <TBODY>
            <tr>
              <th class='PSHEADER' colspan="10" bordercolor=rgb(51,51,153)><p align="left">Job
Name: ESSJ1 - ESSJ1</p></th>
            </tr>
            <tr>
              <th class='PSHEADER' colspan="3" bordercolor=rgb(51,51,153)><p align="left">Mode:
Serial</p></th>
              <th class='PSHEADER' colspan="7" bordercolor=rgb(51,51,153)>&nbsp;</th>
            </tr>
            <tr>
              <th class='PSHEADER' width="5%">Seq.</th>
              <th class='PSHEADER' width="10%">Process Name</th>
              <th class='PSHEADER' width="15%">Description</th>
              <th class='PSHEADER' width="10%">Process Type</th>
              <th class='PSHEADER' width="10%">Run Control ID</th>
              <th class='PSHEADER' width="5%">Type</th>
              <th class='PSHEADER' width="8%">Output
Format</th>
              <th class='PSHEADER' width="10%">Destination</th>
              <th class='PSHEADER' width="8%">Server Option</th>
              <th class='PSHEADER' width="5%">Run Time</th>
            </tr>
            <tr>
              <td class='PSEVENROW' align="center" width="5%">1</td>
              <td class='PSEVENROW' width="10%">ABS001</td>
              <td class='PSEVENROW' width="15%">Employee Absence Report</td>
              <td class='PSEVENROW' align="center" width="10%">SQR Report</td>
              <td class='PSEVENROW' align="center" width="5%">ESSRCID1</td>
              <td class='PSEVENROW' align="center" width="5%">Web</td>
              <td class='PSEVENROW' align="center" width="8%">Acrobat (*.pdf)</td>
              <td class='PSEVENROW' align="center" width="10%">Distribution List</td>
              <td class='PSEVENROW' align="center" width="8%">Any Server&nbsp;</td>
              <td class='PSEVENROW' align="center" width="5%">&nbsp;</td>
            </tr>
            <tr>
              <td class='PSEVENROW' colspan="2">&nbsp;</td>
              <td class='PSEVENROW' colspan="8">
                <p><strong>Parameter:</strong></p>
                <p>-CT ORACLE -CS %SERVER% -CD HR92U19 -CA %ACCESSID% -CAP %ACCESSPSWD% -RP ABS001

```

```
-I %INSTANCE% -R ESSRCID1 -CO USERNAME1 -OT 2 -OP "%OUTDEST%" -OF 1 -LG </p>
  <p><strong>Distribution List:</strong></p>
  <table border="1" cellpadding="3" cellspacing="0" bordercolor="#CCCCCC">
<tr>
  <td class='PSEVENROW' ><strong>Type</strong></td>
  <td class='PSEVENROW' ><strong>Name</strong></td>
</tr>
  <tr>
  <td class='PSEVENROW' >User      </td>
  <td class='PSEVENROW' >PS      </td>
</tr>
  </table>
</td></tr>
</TBODY></TABLE>
<p> </p>    </TD></TR></TBODY></TABLE>
<BR></BODY></HTML>
```

UNV6830E Universal Connector for PeopleSoft Process Scheduler ending with exit code 0.

7.14 DISPLAY PRCS PROMPT - UPPS Command

- [Description](#)
- [Command Line Syntax](#)
- [Command Argument](#)
- [Configuration Options](#)
- [Example](#)

7.14.1 Description

The DISPLAY PRCS PROMPT command displays a list of the specified prompt values available in the PeopleSoft system.

7.14.2 Command Line Syntax

The following figure illustrates the command line syntax of the DISPLAY PRCS PROMPT command, using the command line, long form of its [configuration options](#).

```
-display prcs_prompt -prompt {RunStatus | DistributionStatus | ServerName | ProcessTypes
| OperatorId | RecurrenceName | Time zones} [-outfmt {text | xml}]
```

7.14.3 Command Argument

The DISPLAY PRCS PROMPT command can be expressed as either:

- -D (Short form)
- -display (Long form)

The DISPLAY PRCS PROMPT command argument, **prcs_prompt**, requests the display of the list of the specified prompt values available in the PeopleSoft system.

7.14.4 Configuration Options

The following table describes all DISPLAY PRCS PROMPT configuration options and provides the command line, long form of each option illustrated in the [DISPLAY PRCS PROMPT command line syntax](#), above.

Configuration Option Name	Command Line Long Form	Description
PROMPT	-prompt	Type of prompt values that will be displayed: <ul style="list-style-type: none"> • RunStatus • DistributionStatus • ServerName • ProcessTypes • OperatorId • RecurrenceName PROMPT values are case sensitive.
OUTPUT_FORMAT	-outfmt	Format of the output for this command: <ul style="list-style-type: none"> • text: output will be formatted for human consumption. • xml: output will be formatted as XML.

7.14.5 Example

```
upps -userid USERNAME1 -pwd PASSWORD1 -host qapsft.stone.branch -port 8000 -display prcs_prompt -prompt ProcessTypes
```

```
Application Engine
XML Publisher
Cube Builder
COBOL SQL
Crw Online
Crystal
Data Mover
Database Agent
Essbase Cube Builder
Message Agent API
Optimization Engine
PSJob
SQR Process
SQR Report
SQR Report For WF Delivery
Winword
nVision-Report
nVision-ReportBook
```

```
UNV6830E Universal Connector for PeopleSoft Process Scheduler ending with exit code 0.
```

7.15 DISPLAY PROCESS NAMES - UPPS Command

- [Description](#)
- [Command Line Syntax](#)
- [Command Argument](#)
- [Configuration Options](#)
- [Example](#)

7.15.1 Description

The DISPLAY PROCESS NAMES command displays the list of process names in the PeopleSoft system for a specified process type.

7.15.2 Command Line Syntax

The following figure illustrates the command line syntax of the DISPLAY PROCESS NAMES command, using the command line, long form of its [configuration options](#).

```
-display process_names -processtype process_type [-outfmt {text | xml}]
```

7.15.3 Command Argument

The DISPLAY PROCESS NAMES command can be expressed as either:

- -D (Short form)
- -display (Long form)

The DISPLAY PROCESS NAMES command argument, **process_names**, requests the display of the list of process names in the PeopleSoft system for the specified process type.

7.15.4 Configuration Options

The following table describes all DISPLAY PROCESS NAMES configuration options and provides the command line, long form of each option illustrated in the DISPLAY PROCESS NAMES [command line syntax](#), above.

Configuration Option Name	Command Line Long Form	Description
PROCESS_TYPE	-processtype	Type of process for which process names will be returned.
OUTPUT_FORMAT	-outfmt	Format of the output for this command: <ul style="list-style-type: none"> • text: output will be formatted for human consumption. • xml: output will be formatted as XML.

7.15.5 Example

```
upps -userid USERNAME1 -pwd PASSWORD1 -host qapsft.stone.branch -port 8000 -display
process_names -processtype PSJob
```

```
3CBL
3SQR
ACA1095C
AETST001
ALLTYPES
APP004DG
APP007DG
BEN110_J
....
```

```
UNV6830E Universal Connector for PeopleSoft Process Scheduler ending with exit code 0.
```

7.16 DISPLAY REQUESTS - UPPS Command

- [Description](#)
- [Command Line Syntax](#)
- [Command Argument](#)
- [Configuration Options](#)
- [Example](#)

7.16.1 Description

The DISPLAY REQUESTS command displays a list of request status information records from the PeopleSoft system that match the specified criteria.

7.16.2 Command Line Syntax

The following figure illustrates the command line syntax of the DISPLAY REQUESTS command, using the command line, long form of its [configuration options](#).

```
-display prcs_findrequests
{
[-processinstancefrom process_instance]
[-processinstanceto process_instance]
[-operatorid id]
[-processtype type]
[-processname name]
[-serverrun server]
[-runstatus status]
```

```

[-distributionstatus status]
[-langcode code]
[-filtervalue value -filterunit {All | Days | Hours | Minutes} | {[-fromDate yyyy-mm-dd]
[-toDate yyyy-mm-dd]}]
[-processrequestcount count]
[-outfmt {text | xml}]
}
    
```

7.16.3 Command Argument

The DISPLAY REQUESTS command can be expressed as either:

- -D (Short form)
- -display (Long form)

The DISPLAY REQUESTS command argument, **prcs_findrequests**, displays a list of request status information records from the PeopleSoft system that match the specified criteria.

7.16.4 Configuration Options

The following table describes all DISPLAY REQUESTS configuration options and provides the command line, long form of each option illustrated in the [DISPLAY REQUESTS command line syntax](#), above.

Configuration Option Name	Command Line Long Form	Description
PROCESS_INSTANCE_FROM	-processinstancefrom	Starting (lower) process instance ID in a range of instance IDs to be displayed.
PROCESS_INSTANCE_TO	-processinstanceto	Ending (upper) process instance ID in a range of instance IDs to be displayed.
OPERATOR_ID	-operatorid	Filter requests by this operator ID.
PROCESS_TYPE	-processtype	Filter requests by this process type.
PROCESS_NAME	-processname	Filter requests by this process name.
SERVER_RUN	-serverrun	Filter requests by this server name.
RUN_STATUS	-runstatus	Filter requests by this run status.
DISTRIBUTION_STATUS	-distributionstatus	Filter requests by this distribution status.
LANGUAGE_CODE	-langcode	Filter requests by this language code.
FILTER_VALUE	-filtervalue	Integer value that will be interpreted in FILTER_UNIT units to provide a time range for filtering requests.
FILTER_UNIT	-filterunit	Unit used to interpret FILTER_VALUE to provide a time range for filtering requests.
FROM_DATE	-FromDate	Explicit from date in the form of yyyy-mm-dd.
TO_DATE	-ToDate	Explicit from date in the form of yyyy-mm-dd.

Configuration Option Name	Command Line Long Form	Description
PROCESS_REQUEST_COUNT	-processrequestcount	Limit to the number of requests that will be returned.
OUTPUT_FORMAT	-outfmt	Format of the output for this command.

7.16.5 Example

```

upps -userid USERNAME1 -pwd PASSWORD1 -host qapsft.stone.branch -port 8000 -display
prcs_findrequests -operatorid USERNAME1 -runstatus Cancel
Process Instance.....: 140596
Process Name.....: CC_TEST
Process Type.....: PSJob
Job Name.....: CC_TEST
Run Control Id.....: ESS1A
Server Name Requested.....:
Server Name Run.....: PRCS1090
Operator Id.....: USERNAME1
Request Date Time.....: 2018-02-08-14.00.47.727040
Run Date Time.....: 2018-02-08-14.00.47.000000
Begin Date Time.....: 2018-02-08-14.00.54.203951
End Date Time.....: 2018-02-08-14.01.13.266331
Output Destination Format.: (None)
Output Destination Type...: NONE
Recurrence Name.....:
Run Status.....: Cancel
Distribution Status.....: N/A

UNV6830E Universal Connector for PeopleSoft Process Scheduler ending with exit code 0.
    
```

7.17 HOLD PROCESS - UPPS Command

- [Description](#)
- [Command Line Syntax](#)
- [Configuration Options](#)
- [Example](#)

7.17.1 Description

The HOLD PROCESS command places the specified process instance on hold in the PeopleSoft system.

7.17.2 Command Line Syntax

The following figure illustrates the command line syntax of the HOLD PROCESS command, using the command line, long form of its [configuration options](#).

```
upps -hold -processinstance number
```

7.17.3 Configuration Options

The following table describes all HOLD PROCESS configuration options and provides the command line, long form of each option illustrated in the [HOLD PROCESS command line syntax](#), above.

Configuration Option Name	Command Line Long Form	Description
PROCESS_INSTANCE	-processinstance	Process instance number identifying the process to be placed on hold.

7.17.4 Example

```
upps -userid USERNAME1 -pwd PASSWORD1 -host qapsft.stone.branch -port 8000 -hold
-processinstance 140601
```

```
UNV6838E SOAP fault: (SOAP-ENV:Server) null
UNV6812E Error performing SOAP request: PRQ_UPDATEREQUEST_REQ
UNV6826I Error updating process request:
UNV0152D 02DD-1 14:38:39,xpstcpip.c,298,connect,10035,'Resource temporarily unavailable.'
UNV6827I Unable to hold process instance 57966384

UNV6800E Universal Connector for PeopleSoft Process Scheduler ending unsuccessfully with
exit code 202.
```

7.18 START JOBSET - UPPS Command

- [Description](#)
- [Command Line Syntax](#)
- [Configuration Options](#)
- [Example](#)

7.18.1 Description

The START JOBSET command starts a JobSet based on the settings defined in the Process Scheduler's Scheduled JobSet Definition component.

7.18.2 Command Line Syntax

The following figure illustrates the command line syntax of the START JOBSET command, using the command line, long form of its [configuration options](#).

```
-start -MainSchedName name -MainJobName name
[-wait [-poll seconds]
 [-PrintJobTree {yes | no}]
 [-PrintDistList {yes | no}]
 [-PrintSystemMessage {yes | no}]
 [-PrintApplicationMessage {yes | no}]
 [-PrintParamList {yes | no}]
 [-report {yes | no}]
 [-cntfilter filterList]
]
```

7.18.3 Configuration Options

The following table describes all START JOB configuration options and provides the command line, long form of each option illustrated in the START JOB [command line syntax](#), above.

Configuration Option Name	Command Line Long Form	Description
CNT_FILTER	-cntfilter	Comma-delimited list of report file suffixes that will not be returned.
POLL	-poll	Length of time to wait between status calls to the PeopleSoft system.
PRINT_APPLICATION_MESSAGE	-printapplicationmessage	Specification for whether or not application messages are printed for the monitored processes when the work completes.
PRINT_DIST_LIST	-printdistlist	Specification for whether or not to print the report-recipient distribution list for the monitored process when the work completes.
PRINT_JOB_TREE	-printjobtree	Specification for whether or not to print the job tree when the monitored process completes.
PRINT_PARAM_LIST	-printparamlist	Specification for whether or not the parameter list for job items are included in the report.
PRINT_SYSTEM_MESSAGE	-printsystemmessage	Specification for whether or not system messages for the monitored processes when the work completes.

Configuration Option Name	Command Line Long Form	Description
REPORT	-Report	Specification for whether or not the reports associated with a process are returned.
WAIT for PROCESS	-wait	Specification that UPPS will monitor the specified process to completion. <div style="border: 1px solid orange; padding: 5px;"> <p>Note In the START_JOBSET command line syntax, the WAIT for PROCESS (-wait) is a UPPS command used as a configuration option.</p> </div>

7.18.4 Example

```
upps -userid USERNAME1 -pwd PASSWORD1 -host qapsft.stone.branch -port 8000 -start
-main Schedname ESSJS1 -mainjobname ESSJ1
```

UNV6830E Universal Connector for PeopleSoft Process Scheduler ending with exit code 0.

```
UNV6817I Process status for ESSJ1/140604 is now queued.
UNV6817I Process status for ABS001/140605 is now queued.
UNV6817I Process status for ESSJ1/140604 is now processing.
UNV6817I Process status for ABS001/140605 is now success.
Process Instance.....: 140605
Process Name.....: ABS001
Process Type.....: SQR Report
Run Control Id.....: ESSRCID1
Server Name Run.....: PRCS1090
Operator Id.....: USERNAME1
Request Date Time.....: 2018-02-08-14.41.04.845735
Run Date Time.....: 2018-02-08-14.41.04.924835
Begin Date Time.....: 2018-02-08-14.41.21.000000
End Date Time.....: 2018-02-08-14.41.21.000000
Output Destination Format.: PDF
Output Destination Type...: WEB
Run Status.....: success
Distribution Status.....: n/a
```

```
UNV6817I Process status for ESSJ1/140604 is now success.
UNV6834I Distribution status for ESSJ1/140604 is now posting.
Process Instance.....: 140604
Process Name.....: ESSJ1
Process Type.....: PSJob
Run Control Id.....: ESSRCID1
Server Name Run.....: PRCS1090
Operator Id.....: USERNAME1
Request Date Time.....: 2018-02-08-14.41.04.845735
Run Date Time.....: 2018-02-08-14.41.04.924835
```



```

Begin Date Time.....: 2018-02-08-14.41.20.481711
End Date Time.....: 2018-02-08-14.41.35.582383
Output Destination Format.: (None)
Output Destination Type...: NONE
Run Status.....: success
Distribution Status.....: posting

UNV6834I Distribution status for ABS001/140605 is now posted.
Process Instance.....: 140605
Process Name.....: ABS001
Process Type.....: SQR Report
Run Control Id.....: ESSRCID1
Server Name Run.....: PRCS1090
Operator Id.....: USERNAME1
Request Date Time.....: 2018-02-08-14.41.04.845735
Run Date Time.....: 2018-02-08-14.41.04.924835
Begin Date Time.....: 2018-02-08-14.41.21.000000
End Date Time.....: 2018-02-08-14.41.35.530627
Output Destination Format.: PDF
Output Destination Type...: WEB
Run Status.....: success
Distribution Status.....: posted
Content Id.....: 29624
...

UNV6830E Universal Connector for PeopleSoft Process Scheduler ending with exit code 0.
    
```

7.19 SUBMIT PROCESS - UPPS Command

- [Description](#)
- [Command Line Syntax](#)
- [Command Argument](#)
- [Configuration Options](#)
- [Example](#)

7.19.1 Description

The SUBMIT PROCESS command submits a process, job, or jobset to the PeopleSoft Process Scheduler for execution.

7.19.2 Command Line Syntax

The following figure illustrates the command line syntax of the SUBMIT PROCESS command, using the command line, long form of its [configuration options](#).

```

-sub
{
  {filename -deffmt {xml | upps} [-RunControlId ID] [-ProcessType type]]} |
  {-RunControlId ID -ProcessType type} {-ProcessName name | -JobName name}}
  [-ServerName name]
  [-RunDateTime dateTime]
  [-TimeZone zone]
  [-RecurrenceName name]
  [-OutputDestinationType type]
  [-OutputDestinationFormat format]
  [-OutputDestinationString string]
  [-ReportFolderName name]
  [-ProcessFileName name]
  [-RetentionDays days]
}
[-wait [-poll seconds]
  [-PrintJobTree {yes | no}]
  [-PrintDistList {yes | no}]
  [-PrintSystemMessage {yes | no}]
  [-PrintApplicationMessage {yes | no}]
  [-PrintParamList {yes | no}]
  [-report {yes | no}]
  [-cntfilter filterList]
]

```

Note

As the command line syntax illustrates, you can specify all of the options before the `-wait` on the command line to override values (if present) in the definition file.

7.19.3 Command Argument

The SUBMIT PROCESS command can be expressed as either:

- -U (Short form)
- -sub (Long form)

The SUBMIT PROCESS command argument, *filename/ddname*, specifies the process, job, or jobset or submitted to the PeopleSoft Process Scheduler for execution.

7.19.4 Configuration Options

The following table describes all SUBMIT PROCESS configuration options and provides the command line, long form of each option illustrated in the [SUBMIT PROCESS command line syntax](#), above.

Configuration Option Name	Command Line Long Form	Description
CNT_FILTER	-cntfilter	Comma-delimited list of report file suffixes that will not be returned.
DEFINITION_FILE_FORMAT	-deffmt	Format of the definition file.
JOB_NAME	-JobName	Name of the job being referenced by a command.
OUTPUT_DESTINATION_FORMAT	-OutputDestinationFormat	Override of the default output format for the submitted process.
OUTPUT_DESTINATION_STRING	-OutputDestinationString	Override for the file path or printer destination for the output, if the output type for a submitted process is File or Printer.
OUTPUT_DESTINATION_TYPE	-OutputDestinationType	Type of output for a submitted process.
PROCESS_FILE_NAME	-ProcessFileName	Override for the dependent file name for the submitted process.
PROCESS_NAME	-ProcessName	Name of a PeopleSoft process for which parameter names will be returned.
PROCESS_TYPE	-ProcessType	Specific type of PeopleSoft process.
RECURRENCE_NAME	-RecurrenceName	Named recurrence definition to apply to the process submission.
REPORT	-Report	Specification for whether or not the reports associated with a process are returned.
REPORT_FOLDER_NAME	-ReportFolderName	Override for the folder name for the main job or process.
RETENTION_DAYS	-RetentionDays	Override for the retention days defined for a submitted process.
RUN_CONTROL_ID	-RunControlId	Run control ID to be used for the process submission.
RUN_DATE_TIME	-RunDateTime	Custom run date time for the submitted process.
SERVER_NAME	-ServerName	Specific server name for which constraints will be returned.
TIME_ZONE	-TimeZone	Time zone to use for the RUN_DATE_TIME configuration option.
POLL	-poll	Length of time to wait between status calls to the PeopleSoft system.
PRINT_APPLICATION_MESSAGE	-printapplicationmessage	Specification for whether or not application messages are printed for the monitored processes when the work completes.
PRINT_DIST_LIST	-printdistlist	Specification for whether or not to print the report-recipient distribution list for the monitored process when the work completes.
PRINT_JOB_TREE	-printjobtree	Specification for whether or not to print the job tree when the monitored process completes.
PRINT_PARAM_LIST	-printparamlist	Specification for whether or not the parameter list for job items are included in the report.
PRINT_SYSTEM_MESSAGE	-printsystemmessage	Specification for whether or not system messages for the monitored processes when the work completes.

Configuration Option Name	Command Line Long Form	Description
WAIT for PROCESS	-wait	<p>Specification that UPPS will monitor the specified process to completion.</p> <div style="border: 1px solid orange; padding: 5px; margin-top: 10px;"> <p>Note</p> <p>In the SUBMIT_PROCESS command line syntax, the WAIT for PROCESS (-wait) is a UPPS command used as a configuration option.</p> </div>

7.19.5 Example

```
upps -userid USERNAME1 -pwd PASSWORD1 -host qapsft.stone.branch -port 8000 -sub .
\TM_parms.txt -processname TREEMOVER -runcontrolid ESS1A -processtype "Application
Engine"
```

UNV6830E Universal Connector for PeopleSoft Process Scheduler ending with exit code 0.

```
upps -userid USERNAME1 -pwd PASSWORD1 -host qapsft.stone.branch -port 8000 -sub .
\TM_parms.txt -processname TREEMOVER -runcontrolid ESS1A -processtype "Application
Engine" -wait
```

UNV6817I Process status for TREEMOVER/140607 is now queued.

UNV6817I Process status for TREEMOVER/140607 is now no success.

```
Process Instance.....: 140607
Process Name.....: TREEMOVER
Process Type.....: Application Engine
Run Control Id.....: ESS1A
Server Name Run.....: PRCS1090
Operator Id.....: USERNAME1
Request Date Time.....: 2018-02-08-14.44.14.514964
Run Date Time.....: 2018-02-08-14.44.14.000000
Begin Date Time.....: 2018-02-08-14.44.23.302174
End Date Time.....: 2018-02-08-14.44.23.500502
Output Destination Format.: TXT
Output Destination Type...: WEB
Run Status.....: no success
Distribution Status.....: n/a
```

UNV6834I Distribution status for TREEMOVER/140607 is now posted.

```
Process Instance.....: 140607
Process Name.....: TREEMOVER
Process Type.....: Application Engine
Run Control Id.....: ESS1A
Server Name Run.....: PRCS1090
Operator Id.....: USERNAME1
Request Date Time.....: 2018-02-08-14.44.14.514964
Run Date Time.....: 2018-02-08-14.44.14.000000
```

```

Begin Date Time.....: 2018-02-08-14.44.23.302174
End Date Time.....: 2018-02-08-14.44.38.407472
Output Destination Format.: TXT
Output Destination Type...: WEB
Run Status.....: no success
Distribution Status.....: posted
Content Id.....: 29626

*****
Report URL.....: http://qapsft.stone.branch:8000/psreports/ps/29626/
AE_TREEMOVER_140607.stdout
Report Description.: Redirected Terminal Output
*****
PeopleTools 8.55.09 – Application Engine Server
Copyright (c) 1988-2018 Oracle and/or its affiliates.
All Rights Reserved
PSAESRV started service request at 14.44.23 2018-02-08
Begin: PeopleSoft TreeMover (125,2)
A file with the name ESS1A-TreeExp1 already exists. Cannot overwrite. (125,498)
PeopleSoft TreeMover Completed Unsuccessfully. (125,5)
End: PeopleSoft TreeMover (125,3)
PeopleCode Exit(1) Abort invoked by Application at TREEMOVER.Export.Step01. (108,543)
Process 140607 ABENDED at Step TREEMOVER.Export.Step01 (PeopleCode) -- RC = ? (108,524)
Process %s ABENDED at Step %s.%s.%s (Action %s) -- RC = %s
PSAESRV completed service request at 14.44.23 2018-02-08

UNV6830E Universal Connector for PeopleSoft Process Scheduler ending with exit code 6.

```

7.20 WAIT for PROCESS - UPPS Command

- [Description](#)
- [Command Line Syntax](#)
- [Configuration Options](#)
- [Example](#)

7.20.1 Description

The WAIT for PROCESS command monitors a specified job, jobset, or process in the PeopleSoft system to completion. Optionally, the various outputs associated with the monitored processes can be retrieved.

7.20.2 Command Line Syntax

The following figure illustrates the command line syntax of the WAIT for PROCESS command, using the command line, long form of its [configuration options](#).

```
-wait -processinstance number
[-poll seconds][-printjobtree {yes | no}]
[-printdistlist {yes | no}]
[-printsystemmessage {yes | no}]
[-printapplicationmessage {yes | no}]
[-printparamlist {yes | no}]
[-report {yes | no}]
[-cntfilter filterList]
```

7.20.3 Configuration Options

The following table describes all WAIT for PROCESS configuration options and provides the command line, long form of each option illustrated in the [WAIT for PROCESS command line syntax](#), above.

Configuration Option Name	Command Line Long Form	Description
CNT_FILTER	-cntfilter	Comma-delimited list of report file suffixes that will not be returned.
POLL	-poll	Length of time to wait between status calls to the PeopleSoft system.
PRINT_JOB_TREE	-printjobtree	Specification for whether or not to print the job tree when the monitored process completes.
PRINT_DIST_LIST	-printdistlist	Specification for whether or not to print the report-recipient distribution list for the monitored process when the work completes.
PRINT_APPLICATION_MESSAGE	-printapplicationmessage	Specification for whether or not application messages are printed for the monitored processes when the work completes.
PRINT_SYSTEM_MESSAGE	-printsystemmessage	Specification for whether or not system messages for the monitored processes when the work completes.
PRINT_PARAM_LIST	-printparamlist	Specification for whether or not the parameter list for job items are included in the report.
PROCESS_INSTANCE	-processinstance	Process instance number for the job, jobset, or process.
REPORT	-Report	Specification for whether or not the reports associated with a process are returned.

7.20.4 Example

```
uups -userid USERNAME1 -pwd PASSWORD1 -host qapsft.stone.branch -port 8000 -wait
-processinstance 140608
```

```
UNV6817I Process status for TREEMOVER/140608 is now no success.
UNV6834I Distribution status for TREEMOVER/140608 is now posted.
Process Instance.....: 140608
Process Name.....: TREEMOVER
```

```

Process Type.....: Application Engine
Run Control Id.....: ESS1A
Server Name Run.....: PRCS1090
Operator Id.....: USERNAME1
Request Date Time.....: 2018-02-08-14.46.26.623556
Run Date Time.....: 2018-02-08-14.46.26.000000
Begin Date Time.....: 2018-02-08-14.46.39.774941
End Date Time.....: 2018-02-08-14.46.54.970106
Output Destination Format.: TXT
Output Destination Type...: WEB
Run Status.....: no success
Distribution Status.....: posted
Content Id.....: 29627
*****
Report URL.....: http://qapsft.stone.branch:8000/psreports/ps/29627/
AE_TREEMOVER_140608.stdout
Report Description.: Redirected Terminal Output
*****
PeopleTools 8.55.09 - Application Engine Server
Copyright (c) 1988-2018 Oracle and/or its affiliates.
All Rights Reserved
PSAESRV started service request at 14.46.39 2018-02-08
Begin: PeopleSoft TreeMover (125,2)
A file with the name ESS1A-TreeExp1 already exists. Cannot overwrite. (125,498)
PeopleSoft TreeMover Completed Unsuccessfully. (125,5)
End: PeopleSoft TreeMover (125,3)
PeopleCode Exit(1) Abort invoked by Application at TREEMOVER.Export.Step01. (108,543)
Process 140608 ABENDED at Step TREEMOVER.Export.Step01 (PeopleCode) -- RC = ? (108,524)
Process %s ABENDED at Step %s.%s.%s (Action %s) -- RC = %s
PSAESRV completed service request at 14.46.39 2018-02-08

UNV6830E Universal Connector for PeopleSoft Process Scheduler ending with exit code 6.
    
```

8 Universal Connector for PeopleSoft Exit Codes

- [Overview](#)
- [WAIT Exit Codes](#)
- [All Other Command Exit Codes](#)

8.1 Overview

The exit code of Universal Connector for PeopleSoft depends on the command being issued. This page identifies the exit codes for the various Universal Connector for PeopleSoft commands.

8.2 WAIT Exit Codes

If the WAIT command is specified, UPPS will return a value that indicates the state of the monitored process, job, or jobSet. The following table lists the exit code value associated with the possible completion states.

Job Completion Status in PeopleSoft Process Scheduler	Exit Code
Error	8
No Success	6
Cancelled	4
Warning	2
Success	0
Error in UPPS processing (see #All Other Command Exit Codes).	> 200

8.3 All Other Command Exit Codes

If UPPS is not performing the WAIT command, the exit code indicates the success of the requested actions. The following table lists the UPPS exit codes.

Description	Exit Code
Successfully completed all requested actions.	0

Description	Exit Code
General purpose return code indicating that an error level condition occurred in processing. Refer to messages written to standard error for details.	202
General purpose return code indicating that a fatal level condition occurred in processing. Refer to messages written to standard error for details.	203
Error in the configuration file or command options. Refer to the messages written to standard error for details.	220
Error initializing the message processing options	221

9 Universal Connector for PeopleSoft Configuration Options for Program Execution

9.1 Overview

Many configuration options of Universal Connector for PeopleSoft are associated with one or more specific Universal Connector for PeopleSoft [commands](#).

However, some configuration options are not associated with commands, but with program execution. Some of these options are required for every execution of Universal Connector for PeopleSoft; others are optional for any execution.

These options are categorized into logical areas of application, as shown in the following table.

The name of each category is a link to the following information:

- **Description:** Description of the options in the category.
- **Options syntax:** Syntax of the options on the command line.
- **Options:** Description of the configuration options in the category and a link to detailed information about those options.

Note

For information on configuration options that are associated with one or more specific commands, see [Universal Connector for PeopleSoft Commands](#).

9.2 Universal Connector for PeopleSoft Configuration Options for Program Execution - Categories

Option Categories	Description
Required	
HOST Options	Specifies the PeopleSoft host to which a connection should be made.
USER Options	Identifies the PeopleSoft user account with which the command executes.
Optional	
AFT (Application Fault Tolerant) Options	Configures application-level fault tolerant web service calls to the PeopleSoft server.
COMMAND FILE Options	Specifies an additional source of command options.
INFORMATIONAL Options	Requests information pertaining to the PeopleSoft program.
INSTALLATION Options	Specifies UPPS options required for installation (Windows and UNIX).

LOCAL Options	Specifies UPPS options required for local broker registration.
MESSAGE Options	Requests information pertaining to the UPPS program.
NFT (Network Fault Tolerant) Options	Configures application-level fault tolerant web service calls to the PeopleSoft server.
SSL/TLS Options	Configures the environment and behavior of HTTPS connections with the PeopleSoft system.

9.3 AFT (Application Fault Tolerant) Options - Universal Connector for PeopleSoft

- [Description](#)
- [Command Line Syntax](#)
- [AFT Options List](#)

9.3.1 Description

The AFT (Application Fault Tolerant) options are used to configure application-level fault tolerant web service calls to the PeopleSoft server. Web service calls that fail because of a backend error on the PeopleSoft system can be retried using the AFT options below.

9.3.2 Command Line Syntax

The following figure illustrates the command line syntax of the AFT options, using their command line, long form.

```
-appl_retry_count count
-appl_retry_interval seconds
-appl_retry_msg_ids list
```

9.3.3 AFT Options List

The following table describes all AFT options and provides the command line, long form of each option illustrated in the AFT options command line syntax, above.

Configuration Option Name	Command Line Long Form	Description
APPL_RETRY_COUNT	-appl_retry_count	Number of web service call retry attempts Universal Connector should make before ending with an error.

Configuration Option Name	Command Line Long Form	Description
APPL_RETRY_INTERVAL	-appl_retry_interval	Number of seconds to wait between a retry of the web service call upon an application level PeopleSoft error.
APPL_RETRY_MSG_IDS	-appl_retry_msg_ids	Comma-separated list of PeopleSoft message IDs to retry on.

9.4 COMMAND FILE Options - Universal Connector for PeopleSoft

- [Description](#)
- [Plain Text File](#)
 - [Command Line Syntax \(Plain Text Options\)](#)
 - [COMMAND FILE \(Plain Text\) Options List](#)
- [Encrypted File](#)
 - [Command Line Syntax \(Encrypted Options\)](#)
 - [COMMAND FILE \(Encrypted\) Options List](#)

9.4.1 Description

The COMMAND FILE options are used to specify a file as a source of configuration options used for a command execution. The options read from a command file are processed exactly like options from any other input source.

Encrypted command files are an excellent place to store sensitive data such as user IDs and passwords. Use the [Universal Encrypt](#) utility to encrypt a plain text command file.

Note

All options, including required and command-specific options, can be placed in a command file.

Universal Connector for PeopleSoft can process both plain text and encrypted command files. Either type of file can be used, but not both. If both are specified, the plain text file will be used.

9.4.2 Plain Text File

9.4.2.1 Command Line Syntax (Plain Text Options)

The following figure illustrates the command line syntax of the [COMMAND FILE \(Plain Text\) options](#), using their command line, long form.

```
-file [filename]
```

9.4.2.2 COMMAND FILE (Plain Text) Options List

The following table describes all COMMAND FILE (Plain Text) options and provides the command line, long form of each option illustrated in the COMMAND FILE (Plain Text) options [command line syntax](#), above.

Configuration Option Name	Command Line Long Form	Description
FILE_NAME	-file	Name of a plain text command file.

9.4.3 Encrypted File

9.4.3.1 Command Line Syntax (Encrypted Options)

The following figure illustrates the command line syntax of the [COMMAND FILE \(Encrypted\) options](#), using their command line, long form.

```
-encryptedfile [filename [-key key] ]
```

9.4.3.2 COMMAND FILE (Encrypted) Options List

The following table describes all COMMAND FILE (Encrypted) options and provides the command line, long form of each option illustrated in the COMMAND FILE (Encrypted) options [command line syntax](#), above.

Configuration Option Name	Command Line Long Form	Description
ENCRYPT_FILE	-encryptedfile	Name of an encrypted command file.
ENCRYPTION_KEY	-key	Key used to encrypt the command file.

9.5 HOST Options - Universal Connector for PeopleSoft

- [Description](#)
- [Command Line Syntax](#)

- [HOST Options List](#)

9.5.1 Description

The HOST configuration options are required to establish connections and consume web services on a PeopleSoft system.

9.5.2 Command Line Syntax

The following figure illustrates the command line syntax of the [HOST options](#), using their command line, long form.

```
-host host [-port port] -psendpoint endpoint
```

9.5.3 HOST Options List

The following table describes all HOST configuration options and provides the command line, long form of each option illustrated in the [HOST options command line syntax](#), above.

Configuration Option Name	Command Line Long Form	Description
HOST	-host	Host name of a PeopleSoft application server.
PORT	-port	Port number for the PeopleSoft application server.
ENDPOINT	-psendpoint	Web Service endpoint for the PROCESSREQUEST service.

9.6 INFORMATIONAL Options - Universal Connector for PeopleSoft

- [Description](#)
- [Command Line Syntax](#)
- [INFORMATIONAL Options List](#)

9.6.1 Description

The INFORMATIONAL options request information pertaining to the PeopleSoft program.

9.6.2 Command Line Syntax

The following figure illustrates the command line syntax of the [INFORMATIONAL options](#), using their command line, long form.

```
-help-version
```

9.6.3 INFORMATIONAL Options List

The following table describes all INFORMATIONAL options and provides the command line, long form of each option illustrated in the [INFORMATIONAL options command line syntax](#), above.

Configuration Option Name	Command Line Long Form	Description
HELP	-help	Writes command line help.
VERSION	-version	Writes UPPS version and copyright information.

9.7 INSTALLATION Options - Universal Connector for PeopleSoft

- [Description](#)
- [Configuration File Syntax](#)
- [INSTALLATION Options List](#)

9.7.1 Description

The INSTALLATION options are required for product installation.

Note
 INSTALLATION options can be specified only in the configuration file. They have no command line or environment variable parameters.

9.7.2 Configuration File Syntax

The following figure illustrates the configuration file syntax of the [INSTALLATION options](#).

```
installation_directory directory
```

9.7.3 INSTALLATION Options List

The following table describes all INSTALLATION options and provides the configuration file format of each option illustrated in the INSTALLATION options [configuration file syntax](#), above.

Configuration Option Name	Command Line Long Form	Description
INSTALLATION_DIRECTORY	installation_directory	Location in which UPPS is installed.

9.8 LOCAL Options - Universal Connector for PeopleSoft

- [Description](#)
- [Command Line Syntax](#)
- [LOCAL Options List](#)

9.8.1 Description

The LOCAL options are required for local broker registration.

9.8.2 Command Line Syntax

The following table illustrates the command line syntax of the [LOCAL options](#), using their command line, long form.

```
-bif_directory directory
-plf_directory directory
```

9.8.3 LOCAL Options List

The following table describes all LOCAL options and provides the command line, long form of each option illustrated in the LOCAL options [command line syntax](#), above.

Configuration Option Name	Command Line Long Form	Description
BIF_DIRECTORY	-bif_directory	For UNIX only: Broker Interface File (BIF) directory where the Universal Broker interface file is located.
PLF_DIRECTORY	-plf_directory	For UNIX only: Program Lock File (PLF) directory where the program lock files are located.

9.9 MESSAGE Options - Universal Connector for PeopleSoft

- [Description](#)
- [Command Line Syntax](#)
- [MESSAGE Options List](#)

9.9.1 Description

The MESSAGE options specify different characteristics of Universal Connector for PeopleSoft messages.

9.9.2 Command Line Syntax

The following table illustrates the command line syntax of the [MESSAGE options](#), using their command line, long form.

```
-lang language
-level {trace|audit|info|warn|error}
-trace_file_lines lines
-trace_table size,condition
```

9.9.3 MESSAGE Options List

The following table describes all MESSAGE options and provides the command line, long form of each option illustrated in the MESSAGE options [command line syntax](#), above.

Configuration Option Name	Command Line Long Form	Description
MESSAGE_LANGUAGE	-lang	Language in which messages are written.
MESSAGE_LEVEL	-level	Level of messages to be written.
TRACE_FILE_LINES	-trace_file_lines	Maximum number of lines to write to the trace file.

Configuration Option Name	Command Line Long Form	Description
TRACE_TABLE	-trace_table	Trace table size and under what conditions it is written to a file.

9.10 NFT (Network Fault Tolerant) Options - Universal Connector for PeopleSoft

- [Description](#)
- [Command Line Syntax](#)
- [NFT Options List](#)

9.10.1 Description

The NFT (Network Fault Tolerant) options are used to configure fault tolerant web service calls to the PeopleSoft server. Web service calls that fail because of a connection issue between UPPS and the PeopleSoft server can be retried using the NFT options below.

9.10.2 Command Line Syntax

The following figure illustrates the command line syntax of the NFT options, using their command line, long form.

```
-ws_retry_count count
-ws_retry_interval seconds
```

9.10.3 NFT Options List

The following table describes all NFT options and provides the command line, long form of each option illustrated in the NFT options command line syntax, above.

Configuration Option Name	Command Line Long Form	Description
WS_RETRY_COUNT	-ws_retry_count	Number of unsuccessful web service call retry attempts that can occur before UPPS terminates the process and ends unsuccessfully.
WS_RETRY_INTERVAL	-ws_retry_interval	Number of seconds that will elapse between a failed retryable web service call and the retry of that web service call.

9.11 SSL/TLS Options - Universal Connector for PeopleSoft

- [Description](#)
- [Command Line Syntax](#)
- [SSL/TLS Options List](#)

9.11.1 Description

The SSL/TLS options are used to configure the environment and behavior of HTTPS connections with the PeopleSoft system. The SSL/TLS configuration options can be used with any command, but they only impact HTTPS connections.

9.11.2 Command Line Syntax

The following figure illustrates the command line syntax of the [SSL/TLS options](#), using their command line, long form.

```
{-ssl_cipher_list list -ssl_cipher_suites list [-ca_certs file] [-cert file] [-days number] [-private_key file [-private_key_pwd password]] [-verify_host_name option] [-verify_peer option]}
```

9.11.3 SSL/TLS Options List

The following table describes all SSL/TLS configuration options and provides the command line, long form of each option illustrated in the SSL/TLS options [command line syntax](#), above.

Configuration Option Name	Command Line Long Form	Description
SSL_CIPHER_LIST	-ssl_cipher_list	SSL/TLS cipher suites acceptable for use by the SSL/TLS protocol.
SSL_CIPHER_SUITES	-ssl_cipher_suites	SSL/TLS 1.3 specific cipher suites acceptable for use by the SSL/TLS 1.3 protocol.
CERTIFICATE	-cert	File name of the PEM-formatted X.509 certificate that identifies Universal Connector for PeopleSoft.
CERTIFICATE_EXPIRATION_NOTICE	-days	Number of days prior to certificate expiration to begin issuing informational messages about the expiration.
CA_CERTIFICATES	-ca_certs	Location of the PEM-formatted trusted Certificate Authority (CA) X.509 certificates file.
PRIVATE_KEY	-port	Path of the UPPS PEM-formatted RSA private key.
PRIVATE_KEY_PWD	-port	Password for the UPPS PRIVATE_KEY .

Configuration Option Name	Command Line Long Form	Description
VERIFY_HOST_NAME	-verify_host_name	Specification for whether or not the server's X.509 certificate host name field must be verified.
VERIFY_PEER	-verify_peer	Specification for whether or not the server's X.509 certificate is verified.

9.12 USER Options - Universal Connector for PeopleSoft

- [Description](#)
- [Command Line Syntax](#)
- [USER Options List](#)

9.12.1 Description

The USER options are required to establish an RFC connection to a PeopleSoft system. They establish the PeopleSoft user identity.

9.12.2 Command Line Syntax

The following figure illustrates the command line syntax of the [USER options](#), using their command line, long form.

```
-userid userid
-pwd password
```

9.12.3 USER Options List

The following table describes all USER options and provides the command line, long form of each option illustrated in the USER options [command line syntax](#), above.

Configuration Option Name	Command Line Long Form	Description
PASSWORD	-pwd	Password for the PeopleSoft user ID.
USER_ID	-userid	PeopleSoft user ID with which to logon to the PeopleSoft system.

10 Universal Connector for PeopleSoft Configuration Options

- [Overview](#)
- [Configuration Options Information](#)
 - [Description](#)
 - [Usage](#)
 - [Values](#)
 - [<Additional Information>](#)
 - [Command Usage](#)
- [Configuration Options List](#)

10.1 Overview

This page provides links to detailed information for all configuration options of Universal Connector for PeopleSoft. The options are listed alphabetically, without regard to any specific operating system.

10.2 Configuration Options Information

For each configuration option, these pages provides the following information.

10.2.1 Description

Describes the configuration option and how it is used.

10.2.2 Usage

Provides a table of the following information:

Method	Syntax	IBM i	HP NonStop	UNIX	Windows	z/OS
Command Line, Short Form	<Format / Value>					
Command Line, Long Form	<Format / Value>					
Environment Variable	<Format / Value>					
Configuration File Keyword	<Format / Value>					

10.2.2.1 Method

Identifies the different methods used to specify Universal Connector configuration options:

- Command Line Option, Short Form
- Command Line Option, Long Form
- Environment Variable
- Configuration File Keyword

Note

Each option can be specified using one or more methods.

10.2.2.2 Syntax

Identifies the syntax of each method that can be used to specify the option:

- Format: Specific characters that identify the option.
- Value: Type of value(s) to be supplied for this method.

Note

If a Method is not valid for specifying the option, the Syntax field contains **n/a**.

10.2.2.3 (Operating System)

Identifies the operating systems for which each method of specifying the option is valid:

- IBM i
- HP NonStop
- UNIX
- Windows
- z/OS

10.2.3 Values

Identifies all possible values for the specified value type.

Defaults are identified in **bold type**.

10.2.4 <Additional Information>

Identifies any additional information specific to the option.

10.2.5 Command Usage

Provides links to the Universal Connector commands that use the option.

If the option is associated with program execution, not commands, this section provides a link to the appropriate option category in [Universal Connector for PeopleSoft Configuration Options for Program Execution](#).

10.3 Configuration Options List

The following table identifies all Universal Connector configuration options.

Option	Description
APPL_RETRY_COUNT	Number of web service call retry attempts Universal Connector for UPPS should make before ending with an error.
APPL_RETRY_INTERVAL	Number of seconds to wait between a retry of the web service call upon an application level PeopleSoft error.
APPL_RETRY_MSG_IDS	Comma-separated list of PeopleSoft message IDs.
BIF_DIRECTORY	Broker Interface Directory that specifies the location of the Universal Broker interface file.
CA_CERTIFICATES	Location of the PEM-formatted trusted Certificate Authority (CA) X.509 certificates file.
CERTIFICATE	File name of the PEM-formatted X.509 certificate that identifies Universal Connector for PeopleSoft.
CERTIFICATE_EXPIRATION_NOTICE	Number of days prior to certificate expiration to begin issuing informational messages about the expiration.
CNT_FILTER	Comma-delimited list of report file suffixes that will not be returned.
CONTENT_ID	Content ID that identifies the report to be returned from the report repository.
DEFINITION_FILE_FORMAT	Format of the definition file.
DISTRIBUTION_STATUS	Distribution status by requests are filtered.
ENCRYPT_FILE	Name of an encrypted text command file.
ENCRYPTION_KEY	Key used to encrypt the command file.
ENDPOINT	Web Service endpoint for the PROCESSREQUEST service.
FILE_NAME	Name of a plain text command file.
FILTER_UNIT	Unit used to interpret FILTER_VALUE configuration option to provide a time range for filtering requests.
FILTER_VALUE	Integer value that will be interpreted in FILTER_UNIT configuration option units to provide a time range for filtering requests.
FROM_DATE	Explicit from date in the form of yyyy-mm-dd.

HELP	Displays a description of command line options and their format.
HOST	Host name of a PeopleSoft application server.
INSTALLATION_DIRECTORY	Location in which UPPS is installed.
ITEM_INSTANCE	Instance number of a scheduled job or jobset.
JOB_NAME	Name of the job being referenced by a command.
LANGUAGE_CODE	Filter requests by language code.
MAIN_JOB_NAME	Filter requests by language code.
MAIN_SCHED_NAME	Name of the jobset schedule.
MAX_SSL_PROTOCOL	Maximum SSL/TLS protocol level that will be negotiated and used to secure a session with the PeopleSoft server.
MESSAGE_LANGUAGE	Language in which messages are written.
MESSAGE_LEVEL	Level of messages to written.
MIN_SSL_PROTOCOL	Minimum SSL/TLS protocol level that will be negotiated and used to secure a session with the PeopleSoft server.
OPERATOR_ID	Filter requests by this operator ID.
OUTPUT_DESTINATION_FORMAT	Override of the default output format for the submitted process.
OUTPUT_DESTINATION_STRING	Override for the file path or printer destination for the output, if the output type for a submitted process is File or Printer.
OUTPUT_DESTINATION_TYPE	Type of output for a submitted process.
OUTPUT_FORMAT	Format of the output from a PeopleSoft process.
PASSWORD	Password for the PeopleSoft user ID.
PLF_DIRECTORY	Program Lock File directory that specifies the location of the UPPS program lock file.
POLL	Length of time to wait between status calls to the PeopleSoft system.
PORT	Port number for the PeopleSoft application server.
PRINT_APPLICATION_MESSAGE	Specification for whether or not the application messages for the monitored processes are included in the Job Report.
PRINT_DISTRIBUTION_LIST	Specification for whether or not the report-recipient distribution list is included in the Job Report.
PRINT_JOB_TREE	Specification for whether or not the job tree is included in the Job Report.
PRINT_MESSAGE_LIST	Specification for whether or not the messages that will be emailed upon completion of a job item are included in the report.
PRINT_NOTIFY_LIST	Specification for whether or not the job notify list is included in the report.
PRINT_PARAMETER_LIST	Specification for whether or not the parameter list job items are included in the Job Report.

PRINT_SYSTEM_MESSAGE	Specification for whether or not to print the system messages for the monitored processes are included in the Job Report.
PRIVATE_KEY	Path of the Universal Connector for PeopleSoft PEM-formatted RSA private key.
PRIVATE_KEY_PWD	Password for the Universal Connector for PeopleSoft PEM-formatted RSA PRIVATE_KEY .
PROCESS_INSTANCE	PeopleSoft process instance number identifying the request to be returned.
PROCESS_INSTANCE_FROM	Starting (lower) process instance ID in a range of instance IDs to be displayed.
PROCESS_INSTANCE_TO	Ending (upper) process instance ID in a range of instance IDs to be displayed.
PROCESS_FILE_NAME	Override for the dependent file name for the submitted process.
PROCESS_NAME	Name of a PeopleSoft process for which parameter names will be returned.
PROCESS_REQUEST_COUNT	Limit of the number of requests that will be returned.
PROCESS_TYPE	Specific type of PeopleSoft process.
PROMPT	Type of prompt values in the PeopleSoft system that will be displayed by the DISPLAY PRCS PROMPT command.
RECURRENCE_NAME	Named recurrence definition to apply to the process submission.
REPORT	Specification for whether or not the reports associated with a process are returned.
REPORT_FOLDER_NAME	Override for the folder name for the main job or process.
RETENTION_DAYS	Override for the retention days defined for a submitted process.
RUN_CONTROL_ID	Run control ID to be used for the process submission.
RUN_DATE_TIME	Custom run date time for the submitted process.
RUN_STATUS	Specification to filter requests by run status.
SERVER_NAME	Specific server name for which constraints will be returned.
SERVER_RUN	Specification to filter requests by this server name.
SSL_CIPHER_LIST	SSL/TLS cipher suites acceptable for use by the SSL/TLS protocol.
SSL_CIPHER_SUITES	SSL/TLS 1.3 specific cipher suites that are acceptable for use by the SSL/TLS protocol.
TIME_ZONE	Time zone to use for the RUN_DATE_TIME configuration option.
TO_DATE	Latest date to use for job selection or syslog request.
TRACE_FILE_LINES	Maximum number of lines to write to the trace file.
TRACE_TABLE	Trace table size and under what conditions it is written to a file.
USER_ID	PeopleSoft user ID with which to logon to the PeopleSoft system.
VERIFY_HOST_NAME	Specification for whether or not the server's X.509 certificate host name field must be verified.
VERIFY_PEER	Specification for whether or not the authenticity of the PeopleSoft server's X.509 certificate is verified.

VERSION	Writes UPPS version and copyright information.
WS_RETRY_COUNT	Number of unsuccessful web service call retry attempts that can occur before UPPS terminates the process and ends unsuccessfully.
WS_RETRY_INTERVAL	Number of seconds that will elapse between a failed retryable web service call and the retry of that web service call.

10.4 APPL_RETRY_COUNT - UPPS configuration option

10.4.1 Description

The APPL_RETRY_COUNT option specifies the number of web service call retry attempts Universal Connector should make before ending with an error. This option only applies to application level PeopleSoft errors.

10.4.2 Usage

Method	Syntax	IBM i	HP NonStop	UNIX	Windows	z/OS
Command Line, Short Form	n/a			✓	✓	
Command Line, Long Form	-appl_retry_count <i>count</i>			✓	✓	
Environment Variable	UPPSAPPLRETRYCOUNT= <i>count</i>			✓	✓	
Configuration File Keyword	appl_retry_count <i>count</i>			✓	✓	

10.4.3 Value

count must be a number. The minimum value is 0, and maximum is 2147483647.

The default value is 10.

10.4.4 Command Usage

The APPL_RETRY_COUNT option is an [AFT \(Application Fault Tolerant\)](#) option.

AFT (Application Fault Tolerant) options are associated with program execution, not commands. They can be used to retry Web Service calls that were successfully sent by UPPS, but failed on the backend PeopleSoft server.

10.5 APPL_RETRY_INTERVAL - UPPS configuration option

10.5.1 Description

The APPL_RETRY_INTERVAL option specifies the number of seconds to wait between a retry of the web service call upon an application level PeopleSoft error.

10.5.2 Usage

Method	Syntax	IBM i	HP NonStop	UNIX	Windows	z/OS
Command Line, Short Form	n/a			✓	✓	
Command Line, Long Form	-appl_retry_interval <i>seconds</i>			✓	✓	
Environment Variable	UPPSAPPLRETRYINTERVAL= <i>seconds</i>			✓	✓	
Configuration File Keyword	appl_retry_interval <i>seconds</i>			✓	✓	

10.5.3 Value

seconds must be a number. The minimum value is 1 second, and maximum is 2147483647 seconds.

The default value is 10.

10.5.4 Command Usage

The APPL_RETRY_INTERVAL option is an [AFT \(Application Fault Tolerant\)](#) option.

AFT (Application Fault Tolerant) options are associated with program execution, not commands. They can be used to retry Web Service calls that were successfully sent by UPPS, but failed on the backend PeopleSoft server.

10.6 APPL_RETRY_MSG_IDS - UPPS configuration option

10.6.1 Description

The APPL_RETRY_MSG_IDS option specifies a comma-separated list of PeopleSoft message ID matchers.

If a PeopleSoft error occurs, and the status code, message set, and message ID returned by PeopleSoft matches one of the matchers in the list, UPPS will retry the web service call.

10.6.2 Usage

Method	Syntax	IBM i	HP NonStop	UNIX	Windows	z/OS
Command Line, Short Form	n/a			✓	✓	
Command Line, Long Form	-appl_retry_msg_ids <i>list</i>			✓	✓	
Environment Variable	UPPSAPPLRETRYMSGIDS= <i>list</i>			✓	✓	
Configuration File Keyword	appl_retry_msg_ids <i>list</i>			✓	✓	

10.6.3 Value

list is a comma-separated list of numbers or message matching specifications. If no retries are desired, a value of `none` can be specified.

A message matching specification contains at least three semicolon-separated fields, which are the status code, message set and message IDs that should cause a request to be retried. Wildcards are supported for any of these fields. The specification is enclosed in parentheses (). For example:

- (10; 158; 505) Retry requests returning status code 10, message set 158, and message ID 505.
- (20; *; *) Retry requests returning status code 20, with any message set and any message ID.
- (20; *; 15) Retry requests returning status code 20, with any message set and message ID 15.
- (10; 158; 505; 606; 707) Retry requests returning status code 10, with message set 158, and message ID 505, 606, or 707.

A single number not enclosed in curly braces is equivalent to (20; *; <number>).

Example syntax	Note
appl_retry_msg_ids 505	Equivalent to appl_retry_msg_ids "(20; *; 505)"
appl_retry_msg_ids 505,606,707	Equivalent to appl_retry_msg_ids (20;*;505;606;707)
appl_retry_msg_ids (20;*;505),(20;*;606),(20;*;707)	Equivalent to appl_retry_msg_ids (20;*;505;606;707), or 505,606,707
appl_retry_msg_ids (20;*;*)	Equivalent to appl_retry_msg_ids *
appl_retry_msg_ids "(10;20;30), 40"	Equivalent to appl_retry_msg_ids (10;20;30), (20;*;40)
appl_retry_msg_ids *	Equivalent to appl_retry_msg_ids (20;*;*)

Whitespace may appear anywhere in the configuration option. Given the specification (a; b; c; d): a, b, c, their separating ;, and the enclosing parentheses are required, and:

- The status code a must be one of *, 10, 20, or 30
- The message set b must be any number or *
- The message ID c must be any number or *
- The message ID d must be any number or *, and is optional.

Note

The message set from an IBResponse is taken from the MessageSet or MsgSet attribute. If neither exists, the message set is assumed to be 158, allocated to the Integration Broker. See https://docs.oracle.com/cd/E25688_01/pt852pbr0/eng/psbooks/tibr/chapter.htm?File=tibr/htm/tibr06.htm

Note

The UNV6856I message will be printed whenever an error occurs performing the web service request. The message will print the PeopleSoft message ID, which can be used to form the list of message ids to retry on.

10.6.4 Command Usage

The APPL_RETRY_MSG_IDS option is an [AFT \(Application Fault Tolerant\)](#) option.

AFT (Application Fault Tolerant) options are associated with program execution, not commands. They can be used to retry Web Service calls that were successfully sent by UPPS, but failed on the backend PeopleSoft server.

10.7 BIF_DIRECTORY - UPPS configuration option

10.7.1 Description

The BIF_DIRECTORY option specifies the Broker Interface File (BIF) directory where the Universal Broker interface file, **ubroker.bif**, is located.

10.7.2 Usage

Method	Syntax	IBM i	HP NonStop	UNIX	Windows	z/OS
Command Line, Short Form	n/a					
Command Line, Long Form	-bif_directory <i>directory</i>			✓		
Environment Variable	UPPSBIFDIRECTORY= <i>directory</i>			✓		
Configuration File Keyword	n/a					

10.7.3 Values

directory is the name of the BIF directory.

Default = `/var/opt/universal`.

10.7.4 Command Usage

The BIF_DIRECTORY option is a **LOCAL** option.

LOCAL options are associated with program execution, not commands. They are required for local broker registration.

10.8 CA_CERTIFICATES - UPPS configuration option

10.8.1 Description

The CA_CERTIFICATES option specifies the location of the PEM-formatted trusted Certificate Authority (CA) X.509 certificates file.

Trust CA certificates are required if peer authentication is desired.

10.8.2 Usage

Method	Syntax	IBM i	HP NonStop	UNIX	Windows	z/OS
Command Line, Short Form	n/a					
Command Line, Long Form	-ca_certs <i>file</i>			✓	✓	
Environment Variable	UPPSCACERTS= <i>file</i>			✓	✓	
Configuration File Keyword	ca_certificates <i>file</i>			✓	✓	

10.8.3 Values

UNIX	<i>file</i> is the path name of the X.509 certificates file. Relative paths are relative to the current working directory.
Windows	<i>file</i> is the path name of the X.509 certificates file. Relative paths are relative to the current working directory.

10.8.4 Command Usage

The CA_CERTIFICATES option is an **SSL/TLS** option.

SSL/TLS options are associated with program execution, not commands. They are used to configure the environment and behavior of HTTPS connections with the PeopleSoft system. They can be used with any command, but they only impact HTTPS connections.

10.9 CERTIFICATE - UPPS configuration option

10.9.1 Description

The CERTIFICATE option specifies the file name of the PEM-formatted [X.509 certificate](#) that identifies Universal Connector for PeopleSoft.

A UPPS X.509 certificate is required if the Universal Broker requires client authentication.

Note

If the CERTIFICATE option is used, the [PRIVATE_KEY](#) option is required.

10.9.2 Usage

Method	Syntax	IBM i	HP NonStop	UNIX	Windows	z/OS
Command Line, Short Form	n/a					
Command Line, Long Form	-cert <i>file</i>			✓	✓	
Environment Variable	UPPSCERT= <i>file</i>			✓	✓	
Configuration File Keyword	certificate <i>file</i>			✓	✓	

10.9.3 Values

UNIX	<i>file</i> is the path name of the X.509 certificate file. Relative paths are relative to the current working directory.
Windows	<i>file</i> is the path name of the X.509 certificate file. Relative paths are relative to the current working directory.

10.9.4 Command Usage

The CERTIFICATE option is an [SSL/TLS](#) option.

SSL/TLS options are associated with program execution, not commands. They are used to configure the environment and behavior of HTTPS connections with the PeopleSoft system. They can be used with any command, but they only impact HTTPS connections.

10.10 CERTIFICATE_EXPIRATION_NOTICE - UPPS configuration option

10.10.1 Description

The CERTIFICATE_EXPIRATION_NOTICE option specifies the number of days prior to certificate expiration to begin issuing informational messages about the expiration.

10.10.2 Usage

Method	Syntax	IBM i	HP NonStop	UNIX	Windows	z/OS
Command Line, Short Form	n/a					
Command Line, Long Form	-days <i>number</i>			✓	✓	
Environment Variable	UPPSDAYSTILEXPIRE= <i>number</i>			✓	✓	
Configuration File Keyword	days_til_expire <i>number</i>			✓	✓	

10.10.3 Values

number is the number of days prior to certificate expiration to begin issuing informational messages about the expiration.

Default is 15.

10.10.4 Command Usage

The CERTIFICATE_EXPIRATION_NOTICE option is an [SSL/TLS](#) option.

SSL/TLS options are associated with program execution, not commands. They are used to configure the environment and behavior of HTTPS connections with the PeopleSoft system. They can be used with any command, but they only impact HTTPS connections.

10.11 CNT_FILTER - UPPS configuration option

10.11.1 Description

The CNT_FILTER option specifies a comma-delimited list of report file suffixes that will not be returned.

CNT_FILTER is used to filter out types of reports from being returned for a process.

For example, it can be used to prevent PDF and/or XLS reports from being returned: -cntfilter pdf,xls

10.11.2 Usage

Method	Syntax	IBM i	HP NonStop	UNIX	Windows	z/OS
Command Line, Short Form	n/a					
Command Line, Long Form	-cntfilter <i>list</i>			✓	✓	
Environment Variable	UPPSCNTFILTER= <i>list</i>			✓	✓	
Configuration File Keyword	content_filter <i>list</i>			✓	✓	

10.11.3 Value

filterList is a comma-delimited list of report file suffixes that will not be returned.

For example: pdf,xls

Default is pdf.

10.11.4 Command Usage

The CNT_FILTER option is used in the following Universal Connector for PeopleSoft commands:

- [SUBMIT PROCESS](#)

10.12 CONTENT_ID - UPPS configuration option

10.12.1 Description

The CONTENT_ID option specifies the content ID that identifies the report to be returned from the report repository.

10.12.2 Usage

Method	Syntax	IBM i	HP NonStop	UNIX	Windows	z/OS
Command Line, Short Form	n/a					
Command Line, Long Form	-contentid <i>ID</i>			✓	✓	
Environment Variable	UPPS_CONTENTID= <i>ID</i>			✓	✓	
Configuration File Keyword	contentid <i>ID</i>			✓	✓	

10.12.3 Value

ID is the ID that identifies the report to be returned from the report repository

10.12.4 Command Usage

The CONTENT_ID option is used in the following Universal Connector for PeopleSoft command:

- [DISPLAY PRCS GET REPORT](#)

10.13 DEFINITION_FILE_FORMAT - UPPS configuration option

10.13.1 Description

The DEFINITION_FILE_FORMAT option specifies the format of the definition file.

10.13.2 Usage

Method	Syntax	IBM i	HP NonStop	UNIX	Windows	z/OS
Command Line, Short Form	n/a					
Command Line, Long Form	-deffmt <i>format</i>			✓	✓	
Environment Variable	UPPSDEFFMT= <i>format</i>			✓	✓	
Configuration File Keyword	deffmt <i>format</i>			✓	✓	

10.13.3 Value

format is the format of the definition file.

Valid values:

- **xml**
Definition file contains XML that describes the request.
- **upps**
Definition file contains a UPPS script that describes the request.

10.13.4 Command Usage

The DEFINITION_FILE_FORMAT option is used in the following Universal Connector for PeopleSoft commands:

- [SUBMIT PROCESS](#)

10.14 DISTRIBUTION_STATUS - UPPS configuration option

10.14.1 Description

The DISTRIBUTION_STATUS option specifies filter requests by distribution status.

10.14.2 Usage

Method	Syntax	IBM i	HP NonStop	UNIX	Windows	z/OS
Command Line, Short Form	n/a					
Command Line, Long Form	-distributionstatus <i>status</i>			✓	✓	
Environment Variable	UPPS_DISTRIBUTIONSTATUS= <i>status</i>			✓	✓	
Configuration File Keyword	distributionstatus <i>status</i>			✓	✓	

10.14.3 Value

status is the distribution status by which you want to filter requests.

10.14.4 Command Usage

The DISTRIBUTION_STATUS option is used in the following Universal Connector for PeopleSoft command:

- [DISPLAY REQUESTS](#)

10.15 ENCRYPT_FILE - UPPS configuration option

10.15.1 Description

The ENCRYPT_FILE option specifies the file name of an encrypted text command file.

If ENCRYPT_FILE does not specify a file name, the command file is read from stdin.

Note

If both the ENCRYPT_FILE and [FILE_NAME](#) options are used, ENCRYPT_FILE is ignored.

10.15.2 Usage

Method	Syntax	IBM i	HP NonStop	UNIX	Windows	z/OS
Command Line, Short Form	-x <i>name</i>			✓	✓	
Command Line, Long Form	-encryptedfile <i>name</i>			✓	✓	
Environment Variable	UPPSENCRYPTEDFILE= <i>name</i>			✓	✓	
Configuration File Keyword	n/a					

10.15.3 Value

name is the name (ddname for z/OS) of the encrypted text command file.

10.15.4 Command Usage

The ENCRYPT_FILE option is a [COMMAND FILE](#) option.

COMMAND FILE options are associated with program execution, not commands. They are used to specify a file as a source of configuration options used for a command execution.

10.16 ENCRYPTION_KEY - UPPS configuration option

10.16.1 Description

The ENCRYPTION_KEY option specifies the key used to encrypt the command file.

This key acts much like a password for the encrypted command file. If a key was used to encrypt a command file (when Universal Encrypt was run), that same key must be specified to decrypt the file; otherwise, the decryption will fail.

If no key is specified, a default value is provided.

10.16.2 Usage

Method	Syntax	IBM i	HP NonStop	UNIX	Windows	z/OS
Command Line, Short Form	-K <i>key</i>			✓	✓	
Command Line, Long Form	-key <i>key</i>			✓	✓	
Environment Variable	n/a					
Configuration File Keyword	n/a					

10.16.3 Value

key is the name of the key used to encrypt the command file.

10.16.4 Command Usage

The ENCRYPTION_KEY option is a [COMMAND FILE](#) option.

COMMAND FILE options are associated with program execution, not commands. They are used to specify a file as a source of configuration options used for a command execution.

10.17 ENDPOINT - UPPS configuration option

10.17.1 Description

The ENDPOINT option specifies the Web Service endpoint for the PROCESSREQUEST service.

10.17.2 Usage

Method	Syntax	IBM i	HP NonStop	UNIX	Windows	z/OS
Command Line, Short Form	n/a					
Command Line, Long Form	-psendpoint <i>URL</i>			✓	✓	
Environment Variable	UPPSENDPOINT <i>URL</i>			✓	✓	
Configuration File Keyword	peoplesoftendpoint <i>URL</i>			✓	✓	

10.17.3 Value

URL is the web address of a PeopleSoft application server.

10.17.4 Example

-psendpoint https://qapsft.stone.branch:8443/PSIGW/PeopleSoftServiceListeningConnector/PSFT_HR

10.17.5 Command Usage

The ENDPOINT option is a [HOST](#) option.

HOST options are associated with program execution, not commands. They are required to establish a connection with a PeopleSoft system.

10.18 FILE_NAME - UPPS configuration option

10.18.1 Description

The FILE_NAME option specifies the file name of a plain text command file.
 If FILE_NAME does not specify a file name, the command file is read from stdin.

Note

If both the FILE_NAME and ENCRYPT_FILE options are used, ENCRYPT_FILE is ignored.

10.18.2 Usage

Method	Syntax	IBM i	HP NonStop	UNIX	Windows	z/OS
Command Line, Short Form	-f <i>name</i>			✓	✓	
Command Line, Long Form	-file <i>name</i>			✓	✓	
Environment Variable	UPPSFILE= <i>name</i>			✓	✓	
Configuration File Keyword	n/a					

10.18.3 Value

name is the name of the plain text command file.

10.18.4 Command Usage

The FILE_NAME option is a **COMMAND FILE** option.

COMMAND FILE options are associated with program execution, not commands. They are used to specify a file as a source of configuration options used for a command execution.

10.19 FILTER_UNIT - UPPS configuration option

10.19.1 Description

The FILTER_UNIT option specifies the unit used to interpret FILTER_VALUE configuration option to provide a time range for filtering requests.

10.19.2 Usage

Method	Syntax	IBM i	HP NonStop	UNIX	Windows	z/OS
Command Line, Short Form	n/a					
Command Line, Long Form	-filterunit <i>unit</i>			✓	✓	
Environment Variable	UPPSFILTERUNIT= <i>unit</i>			✓	✓	
Configuration File Keyword	filterunit <i>unit</i>			✓	✓	

10.19.3 Value

unit is the integer value that will be interpreted in [FILTER_VALUE](#) configuration option units to provide a time range for filtering requests.

Valid values:

- All: Requests will not be filtered by date.
- Days: Specifies a time range filter for the last [FILTER_VALUE](#) days.
- Hours: Specifies a time range filter for the last [FILTER_VALUE](#) hours.
- Minutes: Specifies a time range filter for the last [FILTER_VALUE](#) minutes.

10.19.4 Command Usage

The FILTER_UNIT option is used in the following Universal Connector for PeopleSoft command:

- [DISPLAY REQUESTS](#)

10.20 FILTER_VALUE - UPPS configuration option

10.20.1 Description

The FILTER_VALUE option specifies an integer value that will be interpreted in [FILTER_UNIT](#) configuration option units to provide a time range for filtering requests.

10.20.2 Usage

Method	Syntax	IBM i	HP NonStop	UNIX	Windows	z/OS
Command Line, Short Form	n/a					
Command Line, Long Form	-filtervalue <i>value</i>			✓	✓	
Environment Variable	UPPSFILTERVALUE= <i>code</i>			✓	✓	

Method	Syntax	IBM i	HP NonStop	UNIX	Windows	z/OS
Configuration File Keyword	filtervalue <i>value</i>			✓	✓	

10.20.3 Value

value is the integer value that will be interpreted in [FILTER_UNIT](#) configuration option units to provide a time range for filtering requests.

10.20.4 Command Usage

The FILTER_VALUE option is used in the following Universal Connector for PeopleSoft command:

- [DISPLAY REQUESTS](#)

10.21 FROM_DATE - UPPS configuration option

10.21.1 Description

The FROM_DATE option specifies an explicit **from** date in the form of yyyy-mm-dd.

10.21.2 Usage

Method	Syntax	IBM i	HP NonStop	UNIX	Windows	z/OS
Command Line, Short Form	n/a					
Command Line, Long Form	-fromdate <i>date</i>			✓	✓	✓
Environment Variable	UPPSFROMDATE= <i>date</i>			✓	✓	
Configuration File Keyword	n/a					

10.21.3 Value

date is the earliest date to use for job selection or syslog request.

The format of *date* is:

YYYY/MM/DD

10.21.4 Command Usage

The FROM_DATE option is used in the following Universal Connector for PeopleSoft commands:

- [DISPLAY REQUESTS](#)

10.22 HELP - UPPS configuration option

10.22.1 Description

The HELP option displays a description of the Universal Connector for PeopleSoft command line options and their format.

10.22.2 Usage

Method	Syntax	IBM i	HP NonStop	UNIX	Windows	z/OS
Command Line, Short Form	-h			✓	✓	
Command Line, Long Form	-help			✓	✓	
Environment Variable	n/a					
Configuration File Keyword	n/a					

10.22.3 Value

(There are no values required for this option.)

10.22.4 Command Usage

The HELP option is an [INFORMATIONAL](#) option.

INFORMATIONAL options are associated with program execution, not commands. They request information pertaining to the UPPS program.

10.23 HOST - UPPS configuration option

10.23.1 Description

The HOST option specifies the host name of a PeopleSoft application server.

HOST, in conjunction with the [PORT](#) option, is used to define a connection to a PeopleSoft system.

10.23.2 Usage

Method	Syntax	IBM i	HP NonStop	UNIX	Windows	z/OS
Command Line, Short Form	<i>i host</i>					

Method	Syntax	IBM i	HP NonStop	UNIX	Windows	z/OS
Command Line, Long Form	-host <i>hostname</i>			✓	✓	
Environment Variable	UPPSHOST= <i>hostname</i>			✓	✓	
Configuration File Keyword	host <i>hostname</i>			✓	✓	

10.23.3 Value

hostname is the host name of a PeopleSoft application server.

10.23.4 Example

-host " qapsft.stone.branch "

Note

The space following the opening quotation mark for the -host value is required for Universal Connector for PeopleSoft to properly parse a typical -host value.

10.23.5 Command Usage

The HOST option is a [HOST](#) option.

HOST options are associated with program execution, not commands. They are required to establish a connection with a PeopleSoft system.

10.24 INSTALLATION_DIRECTORY - UPPS configuration option

10.24.1 Description

The INSTALLATION_DIRECTORY option specifies the location in which Universal Connector for PeopleSoft is installed.

10.24.2 Usage

Method	Syntax	IBM i	HP NonStop	UNIX	Windows	z/OS
Command Line, Short Form	n/a					
Command Line, Long Form	n/a					
Environment Variable	n/a					

Method	Syntax	IBM i	HP NonStop	UNIX	Windows	z/OS
Configuration File Keyword	installation_directory <i>directory</i>			✓	✓	

10.24.3 Values

directory is the path name for the Universal Connector for PeopleSoft installation file.

10.24.3.1 Defaults

UNIX	/opt/universal/upps
Windows 64-bit install	C:\Program Files\Universal\UagSrv

10.24.4 Command Usage

The INSTALLATION_DIRECTORY option is an [INSTALLATION](#) option.

INSTALLATION options are associated with program execution, not commands. They are required for product installation.

10.25 ITEM_INSTANCE - UPPS configuration option

10.25.1 Description

The ITEM_INSTANCE option specifies the instance number of a scheduled job or jobset.

10.25.2 Usage

Method	Syntax	IBM i	HP NonStop	UNIX	Windows	z/OS
Command Line, Short Form	n/a					
Command Line, Long Form	-iteminstance <i>number</i>			✓	✓	
Environment Variable	UPPSITEMINSTANCE= <i>number</i>			✓	✓	
Configuration File Keyword	iteminstance <i>number</i>			✓	✓	

10.25.3 Value

number is the instance number of the scheduled job or jobset.

10.25.4 Command Usage

The ITEM_INSTANCE option is used in the following Universal Connector for PeopleSoft commands:

- [DISPLAY PRCS PRINT JOB REQUEST REPORT](#)

10.26 JOB_NAME - UPPS configuration option

10.26.1 Description

The JOB_NAME option specifies the name of the job being referenced by a command.

10.26.2 Usage

Method	Syntax	IBM i	HP NonStop	UNIX	Windows	z/OS
Command Line, Short Form	n/a					
Command Line, Long Form	-JobName <i>name</i>			✓	✓	
Environment Variable	UPPS_JOBNAME= <i>option</i>			✓	✓	
Configuration File Keyword	n/a					

10.26.3 Value

name is the job name being referenced by the command.

10.26.4 Command Usage

The JOB_NAME option is used in the following Universal Connector for PeopleSoft commands:

- [DISPLAY PRCS PARAMS](#)
- [DISPLAY PRCS PRINT JOB HTML REPORT](#)
- [SUBMIT PROCESS](#)

10.27 LANGUAGE_CODE - UPPS configuration option

10.27.1 Description

The LANGUAGE_CODE option specifies filter requests by language code.

10.27.2 Usage

Method	Syntax	IBM i	HP NonStop	UNIX	Windows	z/OS
Command Line, Short Form	n/a					
Command Line, Long Form	-langcode <i>code</i>			✓	✓	
Environment Variable	UPPSLANGCODE= <i>code</i>			✓	✓	
Configuration File Keyword	langcode <i>code</i>			✓	✓	

10.27.3 Value

code is the language code by which you want to filter requests.

10.27.4 Command Usage

The LANGUAGE_CODE option is used in the following Universal Connector for PeopleSoft commands:

- [DISPLAY OUTPUT FORMATS](#)
- [DISPLAY OUTPUT TYPES](#)
- [DISPLAY REQUESTS](#)

10.28 MAIN_JOB_NAME - UPPS configuration option

10.28.1 Description

The MAIN_JOB_NAME option specifies the name of the job within the jobset schedule.

10.28.2 Usage

Method	Syntax	IBM i	HP NonStop	UNIX	Windows	z/OS
Command Line, Short Form	n/a					
Command Line, Long Form	-mainjobname <i>name</i>			✓	✓	
Environment Variable	UPPSMAINJOBNAME= <i>name</i>			✓	✓	
Configuration File Keyword	mainjobname <i>name</i>			✓	✓	

10.28.3 Value

name is the name of the job within the jobset schedule.

10.28.4 Command Usage

The MAIN_JOB_NAME option is used in the following Universal Connector for PeopleSoft commands:

- [DISPLAY PRCS PRINT SCHED HTML REPORT](#)

10.29 MAIN_SCHED_NAME - UPPS configuration option

10.29.1 Description

The MAIN_SCHED_NAME option specifies the name of the jobset schedule.

10.29.2 Usage

Method	Syntax	IBM i	HP NonStop	UNIX	Windows	z/OS
Command Line, Short Form	n/a					
Command Line, Long Form	-mainschedname <i>name</i>			✓	✓	
Environment Variable	UPPSMAINSCHEDNAME= <i>name</i>			✓	✓	
Configuration File Keyword	mainschedname <i>name</i>			✓	✓	

10.29.3 Value

name is the name of the jobset schedule.

10.29.4 Command Usage

The MAIN_SCHED_NAME option is used in the following Universal Connector for PeopleSoft commands:

- [DISPLAY PRCS PRINT SCHED HTML REPORT](#)

10.30 MAX_SSL_PROTOCOL - UPPS configuration option

10.30.1 Description

The MAX_SSL_PROTOCOL option specifies the maximum SSL/TLS protocol level that will be negotiated and used to secure a session with the PeopleSoft server.

10.30.2 Usage

Method	Syntax	IBM i	HP NonStop	UNIX	Windows	z/OS
Command Line, Short Form	n/a					
Command Line, Long Form	-max_ssl_protocol <i>option</i>			✓	✓	
Environment Variable	UPPSMAXSSLPROTOCOL <i>option</i>			✓	✓	
Configuration File Keyword	max_ssl_protocol <i>option</i>			✓	✓	

This option is NOT currently supported on HP-UX and z/OS

10.30.3 Values

option is the specification for the maximum SSL/TLS protocol level that will be supported.

- **TLS1_2**
Maximum SSL/TLS protocol is TLS 1.2.
- **TLS1_3**
Maximum SSL/TLS protocol is TLS 1.3.

Default is TLS1_2.

10.31 MESSAGE_LANGUAGE - UPPS configuration option

10.31.1 Description

The MESSAGE_LANGUAGE option specifies the language in which messages are written.

10.31.2 Usage

Method	Syntax	IBM i	HP NonStop	UNIX	Windows	z/OS
Command Line, Short Form	-L <i>language</i>			✓	✓	
Command Line, Long Form	-lang <i>language</i>			✓	✓	
Environment Variable	UPPSLANG= <i>language</i>			✓	✓	
Configuration File Keyword	language <i>language</i>			✓	✓	

10.31.3 Value

language is the language in which messages are written.

The first three characters of the language are used as a three-character suffix to form the name of a Universal Message Catalog (UMC) file. UMC files are in the **nls** product directory.

Default is ENGLISH.

10.31.4 Command Usage

The MESSAGE_LANGUAGE option is a [MESSAGE](#) option.

MESSAGE options are associated with program execution, not commands. They specify different characteristics of **upps** messages.

10.32 MESSAGE_LEVEL - UPPS configuration option

10.32.1 Description

The MESSAGE_LEVEL option specifies level of messages to write.

10.32.2 Usage

Method	Syntax	IBM i	HP NonStop	UNIX	Windows	z/OS
Command Line, Short Form	-l <i>level</i>			✓	✓	
Command Line, Long Form	-level <i>level</i>			✓	✓	
Environment Variable	UPPSLEVEL= <i>level</i>			✓	✓	
Configuration File Keyword	message_level <i>level</i>			✓	✓	

10.32.3 Value

level is the level of messages to write.

Valid values for level are:

- **trace**
Activates tracing and generates a trace file to which UPPS writes trace messages used for debugging.

Note

Use **trace** only as directed by Stonebranch, Inc. Customer Support.

- **audit**
Issues audit, informational, warning, and error messages.
- **info**
Issues informational, warning, and error messages.
- **warn**
Issues warning and error messages.
- **error**
Issues error messages only.

10.32.3.1 Default

UNIX	Default is warn .
Windows	Default is warn .

10.32.4 Command Usage

The MESSAGE_LEVEL option is a [MESSAGE](#) option.

MESSAGE options are associated with program execution, not commands. They specify different characteristics of **upps** messages.

10.33 MIN_SSL_PROTOCOL - UPPS configuration option

10.33.1 Description

The MIN_SSL_PROTOCOL option specifies the minimum SSL/TLS protocol level that will be negotiated and used to secure a session with the PeopleSoft server.

10.33.2 Usage

Method	Syntax	IBM i	HP NonStop	UNIX	Windows	z/OS
Command Line, Short Form	n/a					
Command Line, Long Form	-min_ssl_protocol <i>option</i>			✓	✓	
Environment Variable	UPPSMINSSLPROTOCOL <i>option</i>			✓	✓	
Configuration File Keyword	min_ssl_protocol <i>option</i>			✓	✓	

10.33.3 Values

option is the specification for the minimum SSL/TLS protocol level that will be supported.

- **TLS1_0**
Minimum SSL/TLS protocol is TLS 1.0.
- **TLS1_2**
Minimum SSL/TLS protocol is TLS 1.2.
- **TLS1_3**

TLS 1.3 is NOT currently supported on HP-UX

Minimum SSL/TLS protocol is TLS 1.3.

Default is TLS1_2.

10.34 OPERATOR_ID - UPPS configuration option

10.34.1 Description

The OPERATOR_ID option specifies filter requests by this operator ID.

10.34.2 Usage

Method	Syntax	IBM i	HP NonStop	UNIX	Windows	z/OS
Command Line, Short Form	n/a					
Command Line, Long Form	-operatorid <i>ID</i>			✓	✓	

Method	Syntax	IBM i	HP NonStop	UNIX	Windows	z/OS
Environment Variable	UPPSOPERATORID= <i>ID</i>			✓	✓	
Configuration File Keyword	operatorid <i>ID</i>			✓	✓	

10.34.3 Value

ID is the operator ID by which you want to filter requests.

10.34.4 Command Usage

The OPERATOR_ID option is used in the following Universal Connector for PeopleSoft command:

- [DISPLAY REQUESTS](#)

10.35 OUTPUT_DESTINATION_FORMAT - UPPS configuration option

10.35.1 Description

The OUTPUT_DESTINATION_FORMAT option specifies an override of the default output format for the submitted process.

10.35.2 Usage

Method	Syntax	IBM i	HP NonStop	UNIX	Windows	z/OS
Command Line, Short Form	n/a					
Command Line, Long Form	-OutputDestinationFormat <i>format</i>			✓	✓	
Environment Variable	UPPS_OUTPUTDESTINATIONFO RMA T= <i>option</i>			✓	✓	
Configuration File Keyword	n/a					

10.35.3 Value

format is the output format for a submitted process.

For valid values, refer to Oracle documentation for the PeopleSoft Process Scheduler.

One valuable reference can be found here:

https://docs.oracle.com/cd/E91187_01/pt855pbr2/eng/pt/tprs/task_SchedulingProcessRequests-c07170.html#uba875df3-64ee-4123-b1bf-64a25a86c9d2

Refer to section Selecting Output Types and Formats for relevant information.

10.35.4 Command Usage

The OUTPUT_DESTINATION_FORMAT option is used in the following Universal Connector for PeopleSoft commands:

- [SUBMIT PROCESS](#)

10.36 OUTPUT_DESTINATION_STRING - UPPS configuration option

10.36.1 Description

The OUTPUT_DESTINATION_STRING option specifies an override for the file path or printer destination for the output, if the output type for a submitted process is File or Printer.

10.36.2 Usage

Method	Syntax	IBM i	HP NonStop	UNIX	Windows	z/OS
Command Line, Short Form	n/a					
Command Line, Long Form	-OutputDestinationString <i>string</i>			✓	✓	
Environment Variable	UPPS_OUTPUTDESTINATIONSTRING= <i>string</i>			✓	✓	
Configuration File Keyword	n/a			✓	✓	

10.36.3 Value

string is the file path or printer destination for the output.

10.36.4 Command Usage

The OUTPUT_DESTINATION_STRING option is used in the following Universal Connector for PeopleSoft commands:

- [SUBMIT PROCESS](#)

10.37 OUTPUT_DESTINATION_TYPE - UPPS configuration option

10.37.1 Description

The OUTPUT_DESTINATION_TYPE option specifies the type of output for a submitted process.

10.37.2 Usage

Method	Syntax	IBM i	HP NonStop	UNIX	Windows	z/OS
Command Line, Short Form	n/a					
Command Line, Long Form	-OutputDestinationType <i>type</i>			✓	✓	
Environment Variable	UPPS_OUTPUTDESTINATIONTY PE= <i>type</i>			✓	✓	
Configuration File Keyword	n/a					

10.37.3 Value

type is the output type for a submitted process.

Valid values can be obtained by using the [DISPLAY OUTPUT TYPES](#) command.

10.37.4 Command Usage

The OUTPUT_DESTINATION_TYPE option is used in the following Universal Connector for PeopleSoft commands:

- [DISPLAY OUTPUT FORMATS](#)
- [SUBMIT PROCESS](#)

10.38 OUTPUT_FORMAT - UPPS configuration option

10.38.1 Description

The OUTPUT_FORMAT option specifies the format of the output from a PeopleSoft process.

10.38.2 Usage

Method	Syntax	IBM i	HP NonStop	UNIX	Windows	z/OS
Command Line, Short Form	n/a					
Command Line, Long Form	-outfmt <i>format</i>			✓	✓	
Environment Variable	UPPSOUTFMT= <i>format</i>			✓	✓	
Configuration File Keyword	outfmt <i>format</i>			✓	✓	

10.38.3 Value

format is the format of the output from a PeopleSoft process.

Valid values for *format* are:

- **test**
Output will be formatted for human consumption.
- **xml**
Output will be formatted as XML.

10.38.4 Command Usage

The OUTPUT_FORMAT option is used in the following Universal Connector commands:

- [DISPLAY PRCS GET REPORT](#)
- [DISPLAY PRCS GET REQUEST](#)
- [DISPLAY PRCS GET SERVER CONSTRAINTS](#)
- [DISPLAY OUTPUT FORMATS](#)
- [DISPLAY OUTPUT TYPES](#)
- [DISPLAY PRCS PRINT JOB REQUEST REPORT](#)
- [DISPLAY PRCS PROMPT](#)
- [DISPLAY PROCESS NAMES](#)

10.39 PASSWORD - UPPS configuration option

10.39.1 Description

The PASSWORD option specifies the password for the PeopleSoft user ID.

If the password is not specified and the command is executed from a console, Universal Connector for PeopleSoft prompts for a password.

10.39.2 Usage

Method	Syntax	IBM i	HP NonStop	UNIX	Windows	z/OS
Command Line, Short Form	<i>-w password</i>			✓	✓	
Command Line, Long Form	<i>-pwd password</i>			✓	✓	
Environment Variable	<i>UPPSPWD=password</i>			✓	✓	
Configuration File Keyword	<i>password password</i>			✓	✓	

10.39.3 Value

password is the password for the PeopleSoft user ID.

10.39.4 Command Usage

The PASSWORD option is a [USER](#) option.

USER options are associated with program execution, not commands. They are required to establish an RFC connection to a PeopleSoft system.

10.40 PLF_DIRECTORY - UPPS configuration option

10.40.1 Description

The PLF_DIRECTORY option specifies the Program Lock File (PLF) directory where the program lock files are located.

A program lock file is created and used by the UPPS process to store manager process termination information for the Universal Broker.

10.40.2 Usage

Method	Syntax	IBM i	HP NonStop	UNIX	Windows	z/OS
Command Line, Short Form	n/a					
Command Line, Long Form	-plf_directory <i>directory</i>			✓		
Environment Variable	UPPSPLFDIRECTORY= <i>directory</i>			✓		
Configuration File Keyword	n/a					

10.40.3 Values

directory is the name of the PLF directory.

Default is= `/var/opt/universal/tmp`.

10.40.4 Command Usage

The PLF_DIRECTORY option is a [LOCAL](#) option.

LOCAL options are associated with program execution, not commands. They are required for local broker registration.

10.41 POLL - UPPS configuration option

10.41.1 Description

The POLL option specifies the length of time to wait between status calls to the PeopleSoft system.

10.41.2 Usage

Method	Syntax	IBM i	HP NonStop	UNIX	Windows	z/OS
Command Line, Short Form	n/a					
Command Line, Long Form	-poll <i>seconds</i>			✓	✓	
Environment Variable	UPPSPOLL= <i>seconds</i>			✓	✓	
Configuration File Keyword	poll <i>seconds</i>			✓	✓	

10.41.3 Value

seconds is the length of time to wait between status calls to the PeopleSoft system.

Default is 10.

10.41.4 Command Usage

The POLL option is used in the following Universal Connector for PeopleSoft commands:

- [SUBMIT PROCESS](#)

10.42 PORT - UPPS configuration option

10.42.1 Description

The PORT option specifies the port number for the PeopleSoft application server. .

PORT, in conjunction with the [HOST](#) option, is used to define a connection to a PeopleSoft system.

10.42.2 Usage

Method	Syntax	IBM i	HP NonStop	UNIX	Windows	z/OS
Command Line, Short Form	n/a					

Method	Syntax	IBM i	HP NonStop	UNIX	Windows	z/OS
Command Line, Long Form	-port_number_			✓	✓	
Environment Variable	UPPSPORT <i>number</i>			✓	✓	
Configuration File Keyword	<i>port number</i>			✓	✓	

10.42.3 Value

number is the port number for a PeopleSoft application server.

10.42.4 Example

-port 123

10.42.5 Command Usage

The PORT option is a [HOST](#) option.

HOST options are associated with program execution, not commands. They are required to establish a connection with a PeopleSoft system.

10.43 PRINT_APPLICATION_MESSAGE - UPPS configuration option

10.43.1 Description

The PRINT_APPLICATION_MESSAGE option controls whether or not the application messages for the monitored processes are included in the Job Report.

Note

If PRINT_APPLICATION_MESSAGE, PRINT_DISTRIBUTION_LIST, PRINT_JOB_TREE, PRINT_PARAMETER_LIST, AND PRINT_SYSTEM_MESSAGE all are set to **no**, the Job Report is not printed.

10.43.2 Usage

Method	Syntax	IBM i	HP NonStop	UNIX	Windows	z/OS
Command Line, Short Form	n/a					

Method	Syntax	IBM i	HP NonStop	UNIX	Windows	z/OS
Command Line, Long Form	-printapplicationmessage <i>option</i>			✓	✓	
Environment Variable	UPPSPRINTAPPLICATIONMESS AGE= <i>option</i>			✓	✓	
Configuration File Keyword	printapplicationmessage <i>option</i>			✓	✓	

10.43.3 Value

option is the specification for whether or not the application messages for the monitored processes are included in the Job Report.

Valid values:

- **yes**
The messages are included in the Job Report.
- **no**
The messages are not included in the Job Report.

10.43.4 Command Usage

The PRINT_SYSTEM_MESSAGE option is used in the following Universal Connector for PeopleSoft commands:

- [DISPLAY PRCS PRINT JOB REQUEST REPORT](#)
- [SUBMIT PROCESS](#)

10.44 PRINT_DISTRIBUTION_LIST - UPPS configuration option

10.44.1 Description

The PRINT_DISTRIBUTION_LIST option controls whether or not the report-recipient distribution list is included in the Job Report.

Note

If PRINT_APPLICATION_MESSAGE, PRINT_DISTRIBUTION_LIST, PRINT_JOB_TREE, PRINT_PARAMETER_LIST, AND PRINT_SYSTEM_MESSAGE all are set to **no**, the Job Report is not printed.

10.44.2 Usage

Method	Syntax	IBM i	HP NonStop	UNIX	Windows	z/OS
Command Line, Short Form	n/a					
Command Line, Long Form	-printdistlist <i>option</i>			✓	✓	
Environment Variable	UPPSPRINTDISTLIST= <i>option</i>			✓	✓	
Configuration File Keyword	printdistlist <i>option</i>			✓	✓	

10.44.3 Value

option is the specification for whether or not the report-recipient distribution list is included in the Job Report.

Valid values:

- **yes**
Job distribution list is included in the Job Report.
- **no**
Job distribution list is not included in the Job Report.

10.44.4 Command Usage

The PRINT_DISTRIBUTION_LIST option is used in the following Universal Connector for PeopleSoft commands:

- [DISPLAY PRCS PRINT JOB REQUEST REPORT](#)
- [SUBMIT PROCESS](#)

10.45 PRINT_JOB_TREE - UPPS configuration option

10.45.1 Description

The PRINT_JOB_TREE option controls whether or not the job tree is included in the Job Report.

Note

If PRINT_APPLICATION_MESSAGE, PRINT_DISTRIBUTION_LIST, PRINT_JOB_TREE, PRINT_PARAMETER_LIST, AND PRINT_SYSTEM_MESSAGE all are set to **no**, the Job Report is not printed.

10.45.2 Usage

Method	Syntax	IBM i	HP NonStop	UNIX	Windows	z/OS
Command Line, Short Form	n/a					
Command Line, Long Form	-printjobtree <i>option</i>			✓	✓	
Environment Variable	UPPSPRINTJOBTREE= <i>option</i>			✓	✓	
Configuration File Keyword	printjobtree <i>option</i>			✓	✓	

10.45.3 Value

option is the specification for whether or not the job tree is included in the Job Report.

Valid values:

- **yes**
Job tree is included in the Job Report.
- **no**
Job tree is not included in the Job Report.

10.45.4 Command Usage

The PRINT_JOB_TREE option is used in the following Universal Connector for PeopleSoft commands:

- [DISPLAY PRCS PRINT JOB REQUEST REPORT](#)
- [SUBMIT PROCESS](#)

10.46 PRINT_MESSAGE_LIST - UPPS configuration option

10.46.1 Description

The PRINT_MESSAGE_LIST option specifies whether or not the messages that will be emailed upon completion of a job item are included in the report.

10.46.2 Usage

Method	Syntax	IBM i	HP NonStop	UNIX	Windows	z/OS
Command Line, Short Form	n/a					
Command Line, Long Form	-printmessagelist <i>option</i>			✓	✓	

Method	Syntax	IBM i	HP NonStop	UNIX	Windows	z/OS
Environment Variable	UPPSPRINTMESSAGELIST= <i>option</i>			✓	✓	
Configuration File Keyword	printmessagelist <i>option</i>			✓	✓	

10.46.3 Value

option is the specification for whether or not the messages that will be emailed upon completion of a job item are included in the report.

Valid values:

- **yes**
Messages are included in the report.
- **no**
Messages are not included in the report.

10.46.4 Command Usage

The PRINT_MESSAGE_LIST option is used in the following Universal Connector for PeopleSoft commands:

- [DISPLAY PRCS PRINT SCHED HTML REPORT](#)

10.47 PRINT_NOTIFY_LIST - UPPS configuration option

10.47.1 Description

The PRINT_NOTIFY_LIST option specifies whether or not the job notify list is included in the report.

10.47.2 Usage

Method	Syntax	IBM i	HP NonStop	UNIX	Windows	z/OS
Command Line, Short Form	n/a					
Command Line, Long Form	-printnotifylist <i>option</i>			✓	✓	
Environment Variable	UPPSPRINTNOTIFYLIST= <i>option</i>			✓	✓	
Configuration File Keyword	printnotifylist <i>option</i>			✓	✓	

10.47.3 Value

option is the specification for whether or not the notify list is included in the report

Valid values:

- **yes**
Job notify list is included in the report.
- **no**
Job notify list is not included in the report.

10.47.4 Command Usage

The PRINT_NOTIFY_LIST option is used in the following Universal Connector for PeopleSoft commands:

- [DISPLAY PRCS PRINT SCHED HTML REPORT](#)

10.48 PRINT_PARAMETER_LIST - UPPS configuration option

10.48.1 Description

The PRINT_PARAMETER_LIST option controls whether or not the parameter list job items are included in the Job Report.

Note

If PRINT_APPLICATION_MESSAGE, PRINT_DISTRIBUTION_LIST, PRINT_JOB_TREE, PRINT_PARAMETER_LIST, AND PRINT_SYSTEM_MESSAGE all are set to **no**, the Job Report is not printed.

10.48.2 Usage

Method	Syntax	IBM i	HP NonStop	UNIX	Windows	z/OS
Command Line, Short Form	n/a					
Command Line, Long Form	-printparamlist <i>option</i>			✓	✓	
Environment Variable	UPPSPRINTPARAMLIST= <i>option</i>			✓	✓	
Configuration File Keyword	printparamlist <i>option</i>			✓	✓	

10.48.3 Value

option is the specification for whether or not the parameter list job items are included in the Job Report.

Valid values:

- **yes**
The parameter list is included in the Job Report.

- **no**
The parameter list is not included in the Job Report.

10.48.4 Command Usage

The PRINT_PARAMETER_LIST option is used in the following Universal Connector for PeopleSoft commands:

- [DISPLAY PRCS PRINT JOB REQUEST REPORT](#)
- [DISPLAY PRCS PRINT SCHED HTML REPORT](#)
- [SUBMIT PROCESS](#)

10.49 PRINT_SYSTEM_MESSAGE - UPPS configuration option

10.49.1 Description

The PRINT_SYSTEM_MESSAGE option controls whether or not to print the system messages for the monitored processes are included in the Job Report.

Note
If PRINT_APPLICATION_MESSAGE, PRINT_DISTRIBUTION_LIST, PRINT_JOB_TREE, PRINT_PARAMETER_LIST, AND PRINT_SYSTEM_MESSAGE all are set to **no**, the Job Report is not printed.

10.49.2 Usage

Method	Syntax	IBM i	HP NonStop	UNIX	Windows	z/OS
Command Line, Short Form	n/a					
Command Line, Long Form	-printsystemmessage <i>option</i>			✓	✓	
Environment Variable	UPPSPRINTSYSTEMMESSAGE = <i>option</i>			✓	✓	
Configuration File Keyword	printsystemmessage <i>option</i>			✓	✓	

10.49.3 Value

option is the specification for whether or not to print the system messages for the monitored processes are included in the Job Report.

Valid values:

- **yes**
The messages are included in the Job Report.
- **no**
The messages are not included in the Job Report.

10.49.4 Command Usage

The PRINT_SYSTEM_MESSAGE option is used in the following Universal Connector for PeopleSoft commands:

- [DISPLAY PRCS PRINT JOB REQUEST REPORT](#)
- [SUBMIT PROCESS](#)

10.50 PRIVATE_KEY - UPPS configuration option

10.50.1 Description

The PRIVATE_KEY option specifies the location of the PEM-formatted RSA private key that corresponds to the X.509 certificates specified by the [CERTIFICATE](#) option.

Note

PRIVATE_KEY is required only if a certificate is specified by [CERTIFICATE](#).

10.50.2 Usage

Method	Syntax	IBM i	HP NonStop	UNIX	Windows	z/OS
Command Line, Short Form	n/a					
Command Line, Long Form	-private_key <i>file</i>			✓	✓	
Environment Variable	UPPSPRIVATEKEY= <i>file</i>			✓	✓	
Configuration File Keyword	private_key <i>file</i>			✓	✓	

10.50.3 Values

UNIX	<i>file</i> is the path of the PEM-formatted RSA private key file that corresponds to the X.509 certificates.
Windows	<i>file</i> is the path of the PEM-formatted RSA private key file that corresponds to the X.509 certificates.

10.50.4 Command Usage

The PRIVATE_KEY option is an [SSL/TLS](#) option.

SSL/TLS options are associated with program execution, not commands. They are used to configure the environment and behavior of HTTPS connections with the PeopleSoft system. They can be used with any command, but they only impact HTTPS connections.

10.51 PRIVATE_KEY_PWD - UPPS configuration option

10.51.1 Description

The PRIVATE_KEY_PWD option specifies the password or passphrase for the PEM-formatted RSA private key specified with the [PRIVATE_KEY](#) option.

Note

Whether or not the password is required depends on whether or not it is required by the private key.

10.51.2 Usage

Method	Syntax	IBM i	HP NonStop	UNIX	Windows	z/OS
Command Line, Short Form	n/a					
Command Line, Long Form	<code>-private_key_pwd password</code>			✓	✓	
Environment Variable	<code>UPPSPRIVATEKEYPWD=password</code>			✓	✓	
Configuration File Keyword	<code>private_key_password=password</code>			✓	✓	

10.51.3 Values

password is the password for the private key.

10.51.4 Command Usage

The PRIVATE_KEY_PWD option is an [SSL/TLS](#) option.

SSL/TLS options are associated with program execution, not commands. They are used to configure the environment and behavior of HTTPS connections with the PeopleSoft system. They can be used with any command, but they only impact HTTPS connections.

10.52 PROCESS_INSTANCE - UPPS configuration option

10.52.1 Description

The PROCESS_INSTANCE option specifies a PeopleSoft process instance number identifying the request to be returned.

10.52.2 Usage

Method	Syntax	IBM i	HP NonStop	UNIX	Windows	z/OS
Command Line, Short Form	n/a					
Command Line, Long Form	-processinstance <i>number</i>			✓	✓	
Environment Variable	UPPSPROCESSINSTANCE= <i>number</i>			✓	✓	
Configuration File Keyword	processinstance <i>number</i>			✓	✓	

10.52.3 Value

number is the process instance number identifying the request to be returned.

10.52.4 Command Usage

The PROCESS_INSTANCE option is used in the following Universal Connector for PeopleSoft commands:

- [CANCEL PROCESS](#)
- [DELETE PROCESS](#)
- [DISPLAY PRCS GET REQUEST](#)
- [DISPLAY PRCS PRINT JOB REQUEST REPORT](#)
- [HOLD PROCESS](#)
- [WAIT for PROCESS](#)

10.53 PROCESS_INSTANCE_FROM - UPPS configuration option

10.53.1 Description

The PROCESS_INSTANCE_FROM option specifies the starting (lower) process instance ID in a range of instance IDs to be displayed.

10.53.2 Usage

Method	Syntax	IBM i	HP NonStop	UNIX	Windows	z/OS
Command Line, Short Form	n/a					
Command Line, Long Form	-processinstancefrom <i>ID</i>			✓	✓	
Environment Variable	UPPSPROCESSINSTANCEFRO M= <i>ID</i>			✓	✓	
Configuration File Keyword	processinstancefrom <i>ID</i>			✓	✓	

10.53.3 Value

ID is the starting (lower) process instance ID in a range of instance IDs to be displayed.

10.53.4 Command Usage

The PROCESS_INSTANCE_FROM option is used in the following Universal Connector for PeopleSoft command:

- [DISPLAY REQUESTS](#)

10.54 PROCESS_INSTANCE_TO - UPPS configuration option

10.54.1 Description

The PROCESS_INSTANCE_TO option specifies the ending (upper) process instance ID in a range of instance IDs to be displayed.

10.54.2 Usage

Method	Syntax	IBM i	HP NonStop	UNIX	Windows	z/OS
Command Line, Short Form	n/a					
Command Line, Long Form	-processinstanceto <i>ID</i>			✓	✓	
Environment Variable	UPPSPROCESSINSTANCETO = <i>ID</i>			✓	✓	
Configuration File Keyword	processinstanceto <i>ID</i>			✓	✓	

10.54.3 Value

ID is the ending (upper) process instance ID in a range of instance IDs to be displayed.

10.54.4 Command Usage

The PROCESS_INSTANCE_TO option is used in the following Universal Connector for PeopleSoft command:

- [DISPLAY REQUESTS](#)

10.55 PROCESS_FILE_NAME - UPPS configuration option

10.55.1 Description

The PROCESS_FILE_NAME option specifies an override for the dependent file name for the submitted process.

10.55.2 Usage

Method	Syntax	IBM i	HP NonStop	UNIX	Windows	z/OS
Command Line, Short Form	n/a					
Command Line, Long Form	-ProcessFileName <i>name</i>			✓	✓	
Environment Variable	UPPS_PROCESSFILENAME= <i>name</i>			✓	✓	
Configuration File Keyword	n/a					

10.55.3 Value

name is the override for the dependent file name for the submitted process.

10.55.4 Command Usage

The PROCESS_FILE_NAME option is used in the following Universal Connector for PeopleSoft commands:

- [SUBMIT PROCESS](#)

10.56 PROCESS_NAME - UPPS configuration option

10.56.1 Description

The PROCESS_NAME option specifies the name of a PeopleSoft process for which parameter names will be returned.

10.56.2 Usage

Method	Syntax	IBM i	HP NonStop	UNIX	Windows	z/OS
Command Line, Short Form	n/a					
Command Line, Long Form	-processname <i>name</i>			✓	✓	
Environment Variable	UPPS_PROCESSNAME= <i>name</i>			✓	✓	
Configuration File Keyword	processname <i>name</i>			✓	✓	

10.56.3 Value

name is a name of the PeopleSoft process for which parameters will be returned.

10.56.4 Command Usage

The PROCESS_NAME option is used in the following Universal Connector for PeopleSoft commands:

- [DISPLAY OUTPUT FORMATS](#)
- [DISPLAY OUTPUT TYPES](#)
- [DISPLAY PRCS PARAMS](#)

10.57 PROCESS_REQUEST_COUNT - UPPS configuration option

10.57.1 Description

The PROCESS_REQUEST_COUNT option specifies the limit of the number of requests that will be returned.

10.57.2 Usage

Method	Syntax	IBM i	HP NonStop	UNIX	Windows	z/OS
Command Line, Short Form	n/a					

Method	Syntax	IBM i	HP NonStop	UNIX	Windows	z/OS
Command Line, Long Form	-processrequestcount <i>number</i>			✓	✓	
Environment Variable	UPPSPROCESSREQUESTCOUN T= <i>number</i>			✓	✓	
Configuration File Keyword	processrequestcount <i>number</i>			✓	✓	

10.57.3 Value

number is the limit of the number of requests that will be returned.

10.57.4 Command Usage

The PROCESS_REQUEST_COUNT option is used in the following Universal Connector for PeopleSoft command:

- [DISPLAY REQUESTS](#)

10.58 PROCESS_TYPE - UPPS configuration option

10.58.1 Description

The PROCESS_TYPE option specifies a specific type of PeopleSoft process.

10.58.2 Usage

Method	Syntax	IBM i	HP NonStop	UNIX	Windows	z/OS
Command Line, Short Form	n/a					
Command Line, Long Form	-processtype <i>type</i>			✓	✓	
Environment Variable	UPPS_PROCESSTYPE= <i>type</i>			✓	✓	
Configuration File Keyword	processtype <i>type</i>			✓	✓	

10.58.3 Value

type is a specific type of PeopleSoft process.

You can obtain the list of process types either of two ways:

- From the PeopleSoft Process Scheduler directly.
- Use the UPPS DISPLAY PROMPT command to get the "prompt" values. For example:

Valid values for *type* are:

- Application Engine
- XML Publisher
- Cube Builder
- COBOL SQL
- Crw Online
- Crystal
- Data Mover
- Database Agent
- Essbase Cube Builder
- Message Agent API
- Optimization Engine
- PSJob
- SQR Process
- SQR Report
- SQR Report For WF Delivery
- Winword
- nVision-Report
- nVision-ReportBook

10.58.4 Command Usage

The PROCESS_TYPE option is used in the following Universal Connector commands:

- [DISPLAY OUTPUT FORMATS](#)
- [DISPLAY OUTPUT TYPES](#)
- [DISPLAY PRCS GET SERVER CONSTRAINTS](#)
- [DISPLAY PROCESS NAMES](#)

10.59 PROMPT - UPPS configuration option

10.59.1 Description

The PROMPT option specifies the type of prompt values in the PeopleSoft system that will be displayed by the [DISPLAY PRCS PROMPT](#) command.

10.59.2 Usage

Method	Syntax	IBM i	HP NonStop	UNIX	Windows	z/OS
Command Line, Short Form	n/a					
Command Line, Long Form	-prompt <i>types</i>			✓	✓	
Environment Variable	UPPSPROMPT= <i>types</i>			✓	✓	

Method	Syntax	IBM i	HP NonStop	UNIX	Windows	z/OS
Configuration File Keyword	prompt types			✓	✓	

10.59.3 Value

values is the type(s) of prompt values that will be displayed.

Valid values for *values* are:

- RunStatus
- DistributionStatus
- ServerName
- ProcessTypes
- OperatorId
- RecurrenceName

The prompt *values* are case sensitive.

10.59.4 Command Usage

The PROMPT option is used in the following Universal Connector for PeopleSoft commands:

- [DISPLAY PROCESS NAMES](#)

10.60 RECURRENCE_NAME - UPPS configuration option

10.60.1 Description

The RECURRENCE_NAME option specifies the named recurrence definition to apply to the process submission.

10.60.2 Usage

Method	Syntax	IBM i	HP NonStop	UNIX	Windows	z/OS
Command Line, Short Form	n/a					
Command Line, Long Form	-RecurrenceName <i>name</i>			✓	✓	
Environment Variable	UPPS_RECURRENCENAME= <i>name</i>			✓	✓	
Configuration File Keyword	n/a					

10.60.3 Value

name is a valid recurrence name defined to the PeopleSoft Process Scheduler.

Note

The [DISPLAY PRCS PROMPT](#) UPPS command can be used to get list of valid recurrence names.

10.60.4 Command Usage

The RECURRENCE_NAME option is used in the following Universal Connector for PeopleSoft commands:

- [SUBMIT PROCESS](#)

10.61 REPORT - UPPS configuration option

10.61.1 Description

The REPORT option specifies whether or not the reports associated with a process are returned.

10.61.2 Usage

Method	Syntax	IBM i	HP NonStop	UNIX	Windows	z/OS
Command Line, Short Form	n/a					
Command Line, Long Form	-report <i>option</i>			✓	✓	
Environment Variable	UPPSREPORT= <i>option</i>			✓	✓	
Configuration File Keyword	print_report <i>option</i>			✓	✓	

10.61.3 Value

option is the specification for whether or not reports associated with a process are returned.

Valid values:

- **yes**
The reports are returned.
- **no**
The reports are not returned.

Default is yes.

10.61.4 Command Usage

The REPORT option is used in the following Universal Connector for PeopleSoft commands:

- [SUBMIT PROCESS](#)

10.62 REPORT_FOLDER_NAME - UPPS configuration option

10.62.1 Description

The REPORT_FOLDER_NAME option specifies an override for the folder name for the main job or process.

Note

For a process within a job, use the override for job item node (<JobItem> section) in a request definition file.

10.62.2 Usage

Method	Syntax	IBM i	HP NonStop	UNIX	Windows	z/OS
Command Line, Short Form	n/a					
Command Line, Long Form	-ReportFolderName <i>name</i>			✓	✓	
Environment Variable	UPPS_REPORTFOLDERNAME = <i>name</i>			✓	✓	
Configuration File Keyword	n/a					

10.62.3 Value

name is the report folder name.

10.62.4 Command Usage

The REPORT_FOLDER_NAME option is used in the following Universal Connector for PeopleSoft commands:

- [SUBMIT PROCESS](#)

10.63 RETENTION_DAYS - UPPS configuration option

10.63.1 Description

The RETENTION_DAYS option specifies an override for the retention days defined for a submitted process. For a process within a job, enter the override for job item (<JobItem> section) in a request definition file.

10.63.2 Usage

Method	Syntax	IBM i	HP NonStop	UNIX	Windows	z/OS
Command Line, Short Form	n/a					
Command Line, Long Form	-RetentionDays <i>number</i>			✓	✓	
Environment Variable	UPPS_RETENTIONDAYS= <i>number</i>			✓	✓	
Configuration File Keyword	n/a					

10.63.3 Value

number is the number of days that reports generated by the submitted process should be retained by the PeopleSoft system.

10.63.4 Command Usage

The RETENTION_DAYS option is used in the following Universal Connector for PeopleSoft commands:

- [SUBMIT PROCESS](#)

10.64 RETURN_JOB_LOG - UPPS configuration option

10.64.1 Description

The RETURN_JOB_LOG option specifies whether or not the job's job log is returned.

10.64.2 Usage

Method	Syntax	IBM i	HP NonStop	UNIX	Windows	z/OS
Command Line, Short Form	-g <i>option</i>			✓	✓	

Method	Syntax	IBM i	HP NonStop	UNIX	Windows	z/OS
Command Line, Long Form	-joblog <i>option</i>			✓	✓	
Environment Variable	UPPS_JOBLOG= <i>option</i>			✓	✓	
Configuration File Keyword	print_joblog <i>option</i>			✓	✓	

10.64.3 Value

option is the specification for whether or not the job log is returned.

Valid values for *option* are:

- **yes**
Job log is returned to standard out.
- **no**
Job log is not returned.

Default is yes.

10.64.4 Command Usage

The RETURN_JOB_LOG option is used in the following Universal Connector commands:

10.65 RETURN_SPOOL_LIST - UPPS configuration option

10.65.1 Description

The RETURN_SPOOL_LIST option specifies whether or not the spool lists of all job steps are returned.

10.65.2 Usage

Method	Syntax	IBM i	HP NonStop	UNIX	Windows	z/OS
Command Line, Short Form	-s <i>option</i>			✓	✓	
Command Line, Long Form	-spoollist <i>option</i>			✓	✓	
Environment Variable	UPPS_SPOOLLIST= <i>option</i>			✓	✓	
Configuration File Keyword	print_spoollist <i>option</i>			✓	✓	

10.65.3 Value

option is the specification for whether or not the spool lists are returned.

Valid values for *option* are:

- **yes**
Spool lists are returned to standard out.
- **no**
Spool lists are not returned.

Default is yes.

10.65.4 Command Usage

The RETURN_SPOOL_LIST option is used in the following Universal Connector commands:

10.66 RUN_CONTROL_ID - UPPS configuration option

10.66.1 Description

The RUN_CONTROL_ID option specifies the run control ID to be used for the process submission.

This can be an existing run control ID or a new one to be created for this instance.

10.66.2 Usage

Method	Syntax	IBM i	HP NonStop	UNIX	Windows	z/OS
Command Line, Short Form	n/a					
Command Line, Long Form	-RunControlId <i>ID</i>			✓	✓	
Environment Variable	UPPS_RUNCONTROLID= <i>ID</i>			✓	✓	
Configuration File Keyword	n/a					

10.66.3 Value

ID is the run control ID to be used for process submission.

10.66.4 Command Usage

The RUN_CONTROL_ID option is used in the following Universal Connector for PeopleSoft commands:

- [SUBMIT PROCESS](#)

10.67 RUN_DATE_TIME - UPPS configuration option

10.67.1 Description

The RUN_DATE_TIME option specifies a custom run date time for the submitted process.

If this option is not specified, the PeopleSoft Process Scheduler will run the process upon receiving the request.

10.67.2 Usage

Method	Syntax	IBM i	HP NonStop	UNIX	Windows	z/OS
Command Line, Short Form	n/a					
Command Line, Long Form	-RunDateTime <i>date,time</i>			✓	✓	
Environment Variable	UPPS_RUNDATETIME= <i>time</i>			✓	✓	
Configuration File Keyword	n/a			✓	✓	

10.67.3 Value

date,time is the custom run date time for the submitted process.

The format is 2017-04-28 01.11.37.000000.

10.67.4 Command Usage

The RUN_DATE_TIME option is used in the following Universal Connector for PeopleSoft commands:

- [SUBMIT PROCESS](#)

10.68 RUN_STATUS - UPPS configuration option

10.68.1 Description

The RUN_STATUS option specifies filter requests by run status.

10.68.2 Usage

Method	Syntax	IBM i	HP NonStop	UNIX	Windows	z/OS
Command Line, Short Form	n/a					

Method	Syntax	IBM i	HP NonStop	UNIX	Windows	z/OS
Command Line, Long Form	-runstatus <i>status</i>			✓	✓	
Environment Variable	UPPSRUNSTATUS= <i>status</i>			✓	✓	
Configuration File Keyword	runstatus <i>status</i>			✓	✓	

10.68.3 Value

status is the run status by which you want to filter requests.

10.68.4 Command Usage

The RUN_STATUS option is used in the following Universal Connector for PeopleSoft command:

- [DISPLAY REQUESTS](#)

10.69 SERVER_NAME - UPPS configuration option

10.69.1 Description

The SERVER_NAME option specifies a specific server name for which constraints will be returned.

10.69.2 Usage

Method	Syntax	IBM i	HP NonStop	UNIX	Windows	z/OS
Command Line, Short Form	n/a					
Command Line, Long Form	-servername <i>name</i>			✓	✓	
Environment Variable	UPPS_SERVERNAME= <i>name</i>			✓	✓	
Configuration File Keyword	servername <i>name</i>			✓	✓	

10.69.3 Value

name is the name of a specific server for which constraints will be returned.

10.69.4 Command Usage

The SERVER_NAME option is used in the following Universal Connector for PeopleSoft commands:

- [DISPLAY PRCS GET SERVER CONSTRAINTS](#)

10.70 SERVER_RUN - UPPS configuration option

10.70.1 Description

The SERVER_RUN option specifies filter requests by this server name.

10.70.2 Usage

Method	Syntax	IBM i	HP NonStop	UNIX	Windows	z/OS
Command Line, Short Form	n/a					
Command Line, Long Form	-serverrun <i>server</i>			✓	✓	
Environment Variable	UPPSSERVERRUN= <i>server</i>			✓	✓	
Configuration File Keyword	serverrun <i>server</i>			✓	✓	

10.70.3 Value

server is the name of the server by which you want to filter requests.

10.70.4 Command Usage

The SERVER_RUN option is used in the following Universal Connector for PeopleSoft command:

- [DISPLAY REQUESTS](#)

10.71 SSL_CIPHER_LIST - UPPS configuration Option

10.71.1 Description

The SSL_CIPHER_LIST option specifies the SSL/TLS cipher suites acceptable for use by the SSL/TLS protocol.

The SSL/TLS protocol uses the cipher suites to specify which encryption and message authentication (or message digest) algorithms to use.

10.71.2 Usage

Method	Syntax	IBM i	HP NonStop	UNIX	Windows	z/OS
Command Line, Short Form	n/a					
Command Line, Long Form	-ssl_cipher_list <i>list</i>			✓	✓	
Environment Variable	UPPSSSLCIPHERLIST= <i>list</i>			✓	✓	
Configuration File Keyword	ssl_cipher_list <i>list</i>			✓	✓	

10.71.3 Values

list is a comma-separated list of SSL/TLS cipher suites. The following table identifies the list of SSL/TLS cipher suites supported for this option.

The list is in default order, with the most preferred suite first and the least preferred suite last.

Cipher Suite	Description
AES256-GCM-SHA384	256-bit AES encryption in Galois Counter Mode, SHA-2 384-bit message digest.
AES256-SHA	256-bit AES encryption with SHA-1 message digest.
AES128-GCM-SHA256	128-bit AES encryption in Galois Counter Mode, SHA-2 256-bit message digest.
AES128-SHA	128-bit AES encryption with SHA-1 message digest.
ECDHE-RSA-AES256-GCM-SHA384	Ephemeral Elliptic Curve Diffie-Hellman Key Exchange, RSA authentication, 256-bit AES encryption in Galois Counter Mode, SHA-2 384-bit message digest.
ECDHE-ECDSA-AES256-GCM-SHA384	Ephemeral Elliptic Curve Diffie-Hellman Key Exchange, ECDSA authentication, 256-bit AES encryption in Galois Counter Mode, SHA-2 384-bit message digest.
ECDHE-RSA-AES128-GCM-SHA256	Ephemeral Elliptic Curve Diffie-Hellman Key Exchange, RSA authentication, 128-bit AES encryption in Galois Counter Mode, SHA-2 256-bit message digest.
ECDHE-ECDSA-AES128-GCM-SHA256	Ephemeral Elliptic Curve Diffie-Hellman Key Exchange, ECDSA authentication, 128-bit AES encryption in Galois Counter Mode, SHA-2 256-bit message digest.
RC4-SHA	128-bit RC4 encryption with SHA-1 message digest.
RC4-MD5	128-bit RC4 encryption with MD5 message digest.
DES-CBC3-SHA	128-bit Triple-DES encryption with SHA-1 message digest.

Cipher Suite	Description
DES-CBC-SHA	128-bit DES encryption with SHA-1 message digest. <div style="border: 1px solid orange; padding: 10px;"> <p>Note</p> <p>As of Universal Agent 6.7.0.0, DES-CBC-SHA is supported only on HP-UX.</p> <p>Additionally, any Agents on HP-UX that accept connections from, or attempt connections to, Agents on other platforms must be configured with at least one currently supported cipher suite besides DES-CBC-SHA. Therefore, those HP-UX Agents cannot be configured only with DES-CBC-SHA in their list of cipher suites.</p> </div>
NULL-SHA256	No encryption and SHA-2 256-bit message digest.
NULL-SHA	No encryption and SHA-1 message digest.
NULL-MD5	No encryption and MD5 message digest.

10.71.4 Command Usage

The SSL_CIPHER_LIST option is an [SSL/TLS](#) option.

SSL/TLS options are associated with program execution, not commands. They are used to configure the environment and behavior of HTTPS connections with the PeopleSoft system. They can be used with any command, but they only impact HTTPS connections.

10.72 SSL_CIPHER_SUITES - UPPS configuration Option

10.72.1 Description

The SSL_CIPHER_SUITES option specifies one or more **SSL/TLS 1.3 specific** cipher suites that are acceptable for use by the SSL/TLS protocol.

The SSL/TLS protocol uses the cipher suites to specify which encryption and message authentication (or message digest) algorithms to use.

This option is specific to TLS 1.3. To configure ciphers for TLS 1.2 and earlier, see the `ssl_cipher_list` option.

10.72.2 Usage

Method	Syntax	IBM i	HP NonStop	UNIX	Windows	z/OS
Command Line, Short Form	n/a					

Method	Syntax	IBM i	HP NonStop	UNIX	Windows	z/OS
Command Line, Long Form	-ssl_cipher_suites <i>list</i>			✓	✓	
Environment Variable	UPPSSSLCIPHERSUITES= <i>list</i>			✓	✓	
Configuration File Keyword	ssl_cipher_suites <i>list</i>			✓	✓	

10.72.3 Values

list is a comma-separated list of TLS 1.3 SSL/TLS cipher suites. The following table identifies the list of SSL/TLS cipher suites supported for this option.

The list is in default order, with the most preferred suite first and the least preferred suite last.

Cipher Suite	Description
TLS_AES_256_GCM_SHA384	256-bit AES encryption in Galois Counter Mode, SHA-2 384-bit message digest
TLS_CHACHA20_POLY1305_SHA256	256-bit CHACHA encryption with POLY1305 message authentication, SHA-2 256-bit message digest
TLS_AES_128_GCM_SHA256	128-bit AES encryption in Galois Counter Mode, SHA-2 256-bit message digest

10.72.4 Command Usage

The SSL_CIPHER_SUITES option is an [SSL/TLS](#) option.

SSL/TLS options are associated with program execution, not commands. They are used to configure the environment and behavior of HTTPS connections with the PeopleSoft system. They can be used with any command, but they only impact HTTPS connections.

10.73 TIME_ZONE - UPPS configuration option

10.73.1 Description

The TIME_ZONE option specifies the time zone to use for the [RUN_DATE_TIME](#) configuration option.

10.73.2 Usage

Method	Syntax	IBM i	HP NonStop	UNIX	Windows	z/OS
Command Line, Short Form	n/a					
Command Line, Long Form	-TimeZone <i>zone</i>			✓	✓	
Environment Variable	UPPS_TIMEZONE= <i>zone</i>			✓	✓	

Method	Syntax	IBM i	HP NonStop	UNIX	Windows	z/OS
Configuration File Keyword	n/a					

10.73.3 Value

zone is a valid time zone abbreviation.

10.73.4 Command Usage

The TIME_ZONE option is used in the following Universal Connector for PeopleSoft commands:

- [SUBMIT PROCESS](#)

10.74 TO_DATE - UPPS configuration option

10.74.1 Description

The TO_DATE option specifies the latest date to use for job selection or syslog request.

10.74.2 Usage

Method	Syntax	IBM i	HP NonStop	UNIX	Windows	z/OS
Command Line, Short Form	n/a					
Command Line, Long Form	-todate <i>date</i>			✓	✓	✓
Environment Variable	UPPSTODATE= <i>date</i>			✓	✓	
Configuration File Keyword	n/a					

10.74.3 Value

date is the latest date to use for job selection or syslog request.

The format of *date* is:

YYYY/MM/DD

10.74.4 Command Usage

The TO_DATE option is used in the following Universal Connector for PeopleSoft commands:

- [DISPLAY REQUESTS](#)

10.75 TRACE_FILE_LINES - UPPS configuration option

10.75.1 Description

The TRACE_FILE_LINES option specifies the maximum number of lines to write to the trace file.

A trace file is generated when the MESSAGE_LEVEL option is set to **trace**. The trace file will wrap around when the maximum number of lines has been reached and start writing trace entries after the trace header lines.

10.75.2 Usage

Method	Syntax	IBM i	HP NonStop	UNIX	Windows	z/OS
Command Line, Short Form	n/a					
Command Line, Long Form	-tracefilelines <i>lines</i>			✓	✓	
Environment Variable	UPPSTRACEFILELINES= <i>lines</i>			✓	✓	
Configuration File Keyword	trace_file_lines <i>lines</i>			✓	✓	

10.75.3 Value

lines is the maximum number of lines to write to the trace file.

Default is 500,000,000.

10.75.4 Command Usage

The TRACE_FILE_LINES option is a MESSAGE option.

MESSAGE options are associated with program execution, not commands. They specify different characteristics of **upps** messages.

10.76 TRACE_TABLE - UPPS configuration option

10.76.1 Description

The TRACE_TABLE option specifies the size of a wrap-around trace table, and under what conditions the table is written to a file when the process ends.

Trace data can be written to a file / data set as it is produced, or it can be written to a table maintained in memory.

The trace table is written to a file / data set when the program ends under the conditions specified in this option. Tracing is activated, and a trace file is generated, when the MESSAGE_LEVEL option is set to **trace**.

10.76.2 Usage

Method	Syntax	IBM i	HP NonStop	UNIX	Windows	z/OS
Command Line, Short Form	n/a					
Command Line, Long Form	-trace_table size, condition			✓	✓	
Environment Variable	n/a					
Configuration File Keyword	trace_table size, condition			✓	✓	

10.76.3 Values

size is the size (in bytes) of the table.

The size can be suffixed with either of the following characters:

- **M**
Indicates that the size is specified in megabytes.
- **K**
Indicates that the size is specified in kilobytes.

For example, 50M indicates that 50 X 1,048,576 bytes of memory is allocated for the trace table.

Default is 0 (trace table is not used).

condition is the condition under which the trace table is written.

Valid values for condition are:

- **error**
Write the trace table if the program ends with a non-zero exit code.
- **always**
Write the trace table when the program ends regardless of the exit code.
- **never**
Never write the trace table.

Default is never.

10.76.4 Command Usage

The TRACE_TABLE option is a [MESSAGE](#) option.

MESSAGE options are associated with program execution, not commands. They specify different characteristics of **upps** messages.

10.77 USER_ID - UPPS configuration option

10.77.1 Description

The USER_ID option specifies the PeopleSoft user ID with which to logon to the PeopleSoft system.

If the user ID is not specified and the command is executed from a console, Universal Connector for PeopleSoft prompts for a user ID.

10.77.2 Usage

Method	Syntax	IBM i	HP NonStop	UNIX	Windows	z/OS
Command Line, Short Form	<code>-u <i>userid</i></code>			✓	✓	
Command Line, Long Form	<code>-userid <i>userid</i></code>			✓	✓	
Environment Variable	<code>UPPSUSERID=<i>userid</i></code>			✓	✓	
Configuration File Keyword	<code>userid <i>userid</i></code>			✓	✓	

10.77.3 Value

userid is the PeopleSoft user ID with which to logon to the PeopleSoft system.

10.77.4 Command Usage

The USER_ID option is a [USER](#) option.

USER options are associated with program execution, not commands. They are required to establish an RFC connection to a PeopleSoft system.

10.78 VERIFY_HOST_NAME - UPPS configuration option

10.78.1 Description

The VERIFY_HOST_NAME option specifies whether or not the PeopleSoft server's [X.509 certificate](#) host name is verified.

The identity is verified by matching the host specified in the [ENDPOINT](#) configuration option URL value to a Common Name field or a Subject Alternate Name field in the PeopleSoft server's certificate.

If verification fails, the session is rejected and UPPS terminates.

10.78.2 Usage

Method	Syntax	IBM i	HP NonStop	UNIX	Windows	z/OS
Command Line, Short Form	n/a					
Command Line, Long Form	-verify_host_name <i>option</i>			✓	✓	
Environment Variable	UPPSVERIFYHOSTNAME= <i>option</i>			✓	✓	
Configuration File Keyword	verify_host_name <i>option</i>			✓	✓	

10.78.3 Values

option is the specification for whether or not the [X.509 certificate](#) host name must be verified.

Valid values for *option* are:

- **yes**
Verify the server's host name.
- **no**
Do not verify the server's host name.

Default is yes.

10.78.4 Command Usage

The VERIFY_HOST_NAME option is an [SSL/TLS](#) option.

SSL/TLS options are associated with program execution, not commands. They are used to configure the environment and behavior of HTTPS connections with the PeopleSoft system. They can be used with any command, but they only impact HTTPS connections.

10.79 VERIFY_PEER - UPPS configuration option

10.79.1 Description

The VERIFY_PEER option specifies whether or not the authenticity of the PeopleSoft server's [X.509 certificate](#) is verified.

In order to verify the authenticity of the server's certificate, the [CA_CERTIFICATES](#) configuration option must point to a valid list of certificate authority certificates.

If verification fails, the session is rejected and UPPS terminates.

10.79.2 Usage

Method	Syntax	IBM i	HP NonStop	UNIX	Windows	z/OS
Command Line, Short Form	n/a					
Command Line, Long Form	-verify_peer <i>option</i>			✓	✓	
Environment Variable	UPPSVERIFYPEER= <i>option</i>			✓	✓	
Configuration File Keyword	verify_peer <i>option</i>			✓	✓	

10.79.3 Values

option is the specification for whether or not the authenticity of the PeopleSoft server's [X.509 certificate](#) is verified.

Valid values for *option* are:

- **yes**
Verify the server's certificate.
- **no**
Do not verify the server's certificate.

Default is no.

(The default was previously yes but it was changed in 7.7.0.0 as tasks launched from the controller would always set `verify_peer` to no even when it was specified as yes, so in order to preserve previous functionality and not interfere with previously created tasks as much, the default was changed to no and setting the `verify_peer` option to yes now works as intended.)

10.79.4 Command Usage

The `VERIFY_PEER` option is an [SSL/TLS](#) option.

SSL/TLS options are associated with program execution, not commands. They are used to configure the environment and behavior of HTTPS connections with the PeopleSoft system. They can be used with any command, but they only impact HTTPS connections.

10.80 VERSION - UPPS configuration option

10.80.1 Description

The `VERSION` option writes Universal Connector for PeopleSoft version and copyright information.

10.80.2 Usage

Method	Syntax	IBM i	HP NonStop	UNIX	Windows	z/OS
Command Line, Short Form	-v			✓	✓	
Command Line, Long Form	-version			✓	✓	
Environment Variable	n/a					
Configuration File Keyword	n/a					

10.80.3 Value

(There are no values required for this option.)

10.80.4 Command Usage

The VERSION option is an [INFORMATIONAL](#) option.

INFORMATIONAL options are associated with program execution, not commands. They request information pertaining to the UPPS program.

10.81 WS_RETRY_COUNT - UPPS configuration option

10.81.1 Description

The WS_RETRY_COUNT option specifies the number of unsuccessful web service call retry attempts that can occur before UPPS terminates the process and ends unsuccessfully.

10.81.2 Usage

Method	Syntax	IBM i	HP NonStop	UNIX	Windows	z/OS
Command Line, Short Form	n/a			✓	✓	
Command Line, Long Form	-ws_retry_count <i>count</i>			✓	✓	
Environment Variable	UPPSWSRETRYCOUNT= <i>count</i>			✓	✓	
Configuration File Keyword	ws_retry_count <i>count</i>			✓	✓	

10.81.3 Value

count must be a number. The default value is 10.

10.81.4 Command Usage

The WS_RETRY_COUNT option is an [NFT \(Network Fault Tolerant\)](#) option.

NFT (Network Fault Tolerant) options are associated with program execution, not commands. They are used to configure fault tolerant Web Service calls from UPPS to the PeopleSoft server.

10.82 WS_RETRY_INTERVAL - UPPS configuration option

10.82.1 Description

The WS_RETRY_INTERVAL option specifies the number of seconds that will elapse between a failed retryable web service call and the retry of that web service call.

10.82.2 Usage

Method	Syntax	IBM i	HP NonStop	UNIX	Windows	z/OS
Command Line, Short Form	n/a			✓	✓	
Command Line, Long Form	-ws_retry_interval <i>seconds</i>			✓	✓	
Environment Variable	UPPSWSRETRYINTERVAL= <i>seconds</i>			✓	✓	
Configuration File Keyword	ws_retry_interval <i>seconds</i>			✓	✓	

10.82.3 Value

seconds must be a number. The minimum value is 1 second.

The default value is 10 seconds.

10.82.4 Command Usage

The WS_RETRY_INTERVAL option is an [NFT \(Network Fault Tolerant\)](#) option.

NFT (Network Fault Tolerant) options are associated with program execution, not commands. They are used to configure fault tolerant Web Service calls from UPPS to the PeopleSoft server.

11 Universal Connector for PeopleSoft Job Definition Files

11.1 Universal Connector Job Definition Files

Job definition files contain statements that specify the attributes of jobs. These job definitions are used by the SUBMIT, MODIFY, and RUN commands to define or modify jobs in an SAP system.

Universal Connector supports several different job types. The following pages provide a detailed description of the syntax options and requirements for each type of job definition.

- [XML Job Definition File Syntax](#)

11.2 XML Job Definition File Syntax

11.2.1 Overview

We need a description of the section.

Request Message: PRQ_SCHEDULE_REQ

Process Distribution Option Elements

Process Output Option Elements

Process Email Option Elements

Job Item Elements

Job Item Distribution Option Elements

Job Item Output Option Elements

Job Item Email Option Elements

RunTime Parameter Elements

See the PRCS_SCHEDULE section on this Oracle page:

https://docs.oracle.com/cd/E57990_01/pt853pbh2/eng/pt/trws/task_SchedulingaRequest-1b7f37.html#u9a638ba5-3f8e-4a51-8d01-8cc9d25b5095

The XML format is below:

```
<prq:Schedule>
  <RunControlId?></RunControlId>
  <ProcessType?></ProcessType>
  <!--Optional:-->
  <ProcessName?></ProcessName>
  <!--Optional:-->
  <JobName?></JobName>
  <!--Optional:-->
  <ServerName?></ServerName>
  <!--Optional:-->
  <RunDateTime?></RunDateTime>
  <!--Optional:-->
  <TimeZone?></TimeZone>
```

```

<!--Optional:-->
<RecurrenceName?></RecurrenceName>
<!--Optional:-->
<OutputDestinationType?></OutputDestinationType>
<!--Optional:-->
<OutputDestinationFormat?></OutputDestinationFormat>
<!--Optional:-->
<OutputDestinationString?></OutputDestinationString>
<!--Optional:-->
<ReportFolderName?></ReportFolderName>
<!--Optional:-->
<ProcessFileName?></ProcessFileName>
<!--Optional:-->
<RetentionDays?></RetentionDays>
<!--Zero or more repetitions:-->
<PracsDistributionOption>
  <PracsDistributionIdType?></PracsDistributionIdType>
  <PracsDistributionId?></PracsDistributionId>
</PracsDistributionOption>
<!--Optional:-->
<PracsOutputOption>
  <PracsOutputDestinationType?></PracsOutputDestinationType>
  <PracsOutputDestinationFormat?></PracsOutputDestinationFormat>
  <!--Optional:-->
  <PracsOutputDestinationString?></PracsOutputDestinationString>
</PracsOutputOption>
<!--Optional:-->
<PracsEmailOption>
  <!--Optional:-->
  <PracsEmailSubject?></PracsEmailSubject>
  <!--Optional:-->
  <PracsEmailText?></PracsEmailText>
  <PracsEmailAddresses?></PracsEmailAddresses>
  <PracsEmailAttachLog>false</PracsEmailAttachLog>
  <PracsEmailWebReport>false</PracsEmailWebReport>
</PracsEmailOption>
<!--Zero or more repetitions:-->
<JobItem>
  <JobName?></JobName>
  <!--Optional:-->
  <ProcessItemLevel?></ProcessItemLevel>
  <!--Optional:-->
  <JobSequenceNumber?></JobSequenceNumber>
  <!--Optional:-->
  <SeqNoInItemLevel?></SeqNoInItemLevel>
  <!--Optional:-->
  <DistributionOption>
    <DistributionIdType?></DistributionIdType>
    <DistributionId?></DistributionId>
  </DistributionOption>
  <!--Optional:-->
  <OutputOption>
    <OutputDestinationType?></OutputDestinationType>
    <OutputDestinationFormat?></OutputDestinationFormat>
    <!--Optional:-->
    <OutputDestinationString?></OutputDestinationString>

```

```
</OutputOption>
<!--Optional:-->
<EmailOption>
  <!--Optional:-->
  <EmailSubject?></EmailSubject>
  <!--Optional:-->
  <EmailText?></EmailText>
  <EmailAddresses?></EmailAddresses>
  <EmailAttachLog>>false</EmailAttachLog>
  <EmailWebReport>>false</EmailWebReport>
</EmailOption>
<!--Optional:-->
<ReportFolderName?></ReportFolderName>
<!--Optional:-->
<RetentionDays?></RetentionDays>
</JobItem>
<!--Zero or more repetitions:-->
<RunTimeParameter>
  <ProcessName?></ProcessName>
  <ProcessType?></ProcessType>
  <ParameterName?></ParameterName>
  <ParameterValue?></ParameterValue>
</RunTimeParameter>
</prq:Schedule>
```